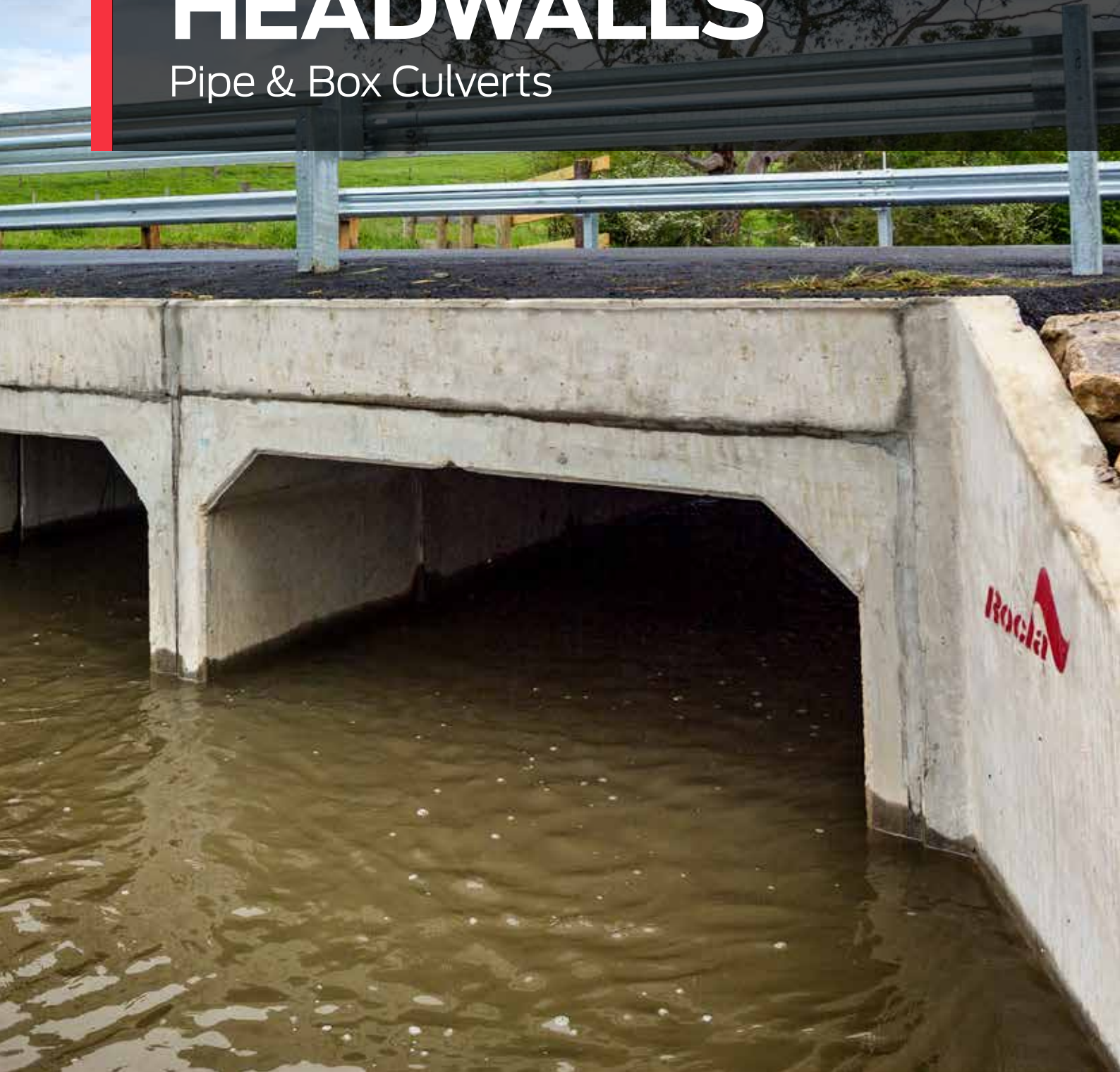




**131 004** [rocla.com.au](http://rocla.com.au)

# PRECAST HEADWALLS

Pipe & Box Culverts





# ROCLA® PIPE & BOX CULVERT HEADWALLS

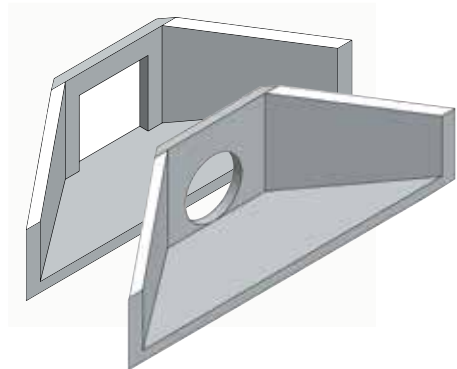
Rocla Pipeline Products manufactures a wide range of standard and custom precast headwalls to meet the needs of civil construction contractors, authorities and irrigators.

A variety of standard designs and a choice of complete headwalls or segmented components provide versatile, modular solutions that can be adapted to individual requirements such as site conditions and lifting constraints. Rocla Pipeline Products can also design special structures for unusual construction loads or other requirements. Rocla® precast headwalls offer proven structural strength, fast installation, easy supervision and say-day back filling.

## A COMPLETE RANGE OF HEADWALL SOLUTIONS

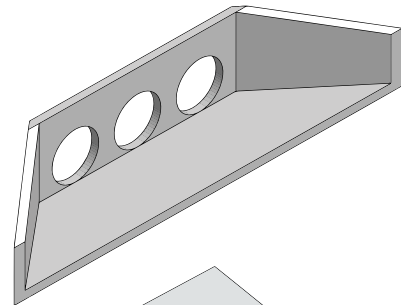
### SINGLE-PIECE HEADWALLS

Rocla® single-piece headwalls are available to suit pipe diameters from 225mm to 2550mm diameter and box culverts sizes from 300 x 150mm to 3000 x 2400mm. Flexibility during manufacture allows particular lifting and site requirements to be met.



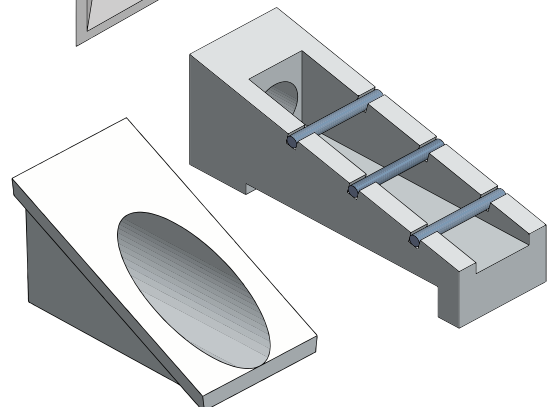
### MULTI-CELL HEADWALLS

Rocla Pipeline Products manufactures multi-cell headwalls for pipes or box culverts in a range of standard sizes, as well as customised versions to suit individual site requirements. Multi-Cell Headwalls can be supplied in sections to aid handling on site.



### SLOPED HEADWALLS

Various sloped headwalls are available to suit local government and road authority requirements. Contact your local sales office for the full range of products available in your area.



## **IRRIGATION HEADWALLS**

Rocla® irrigation headwalls are a versatile, modular solution for applications requiring higher bulkheads, such as high embankments and road channels.

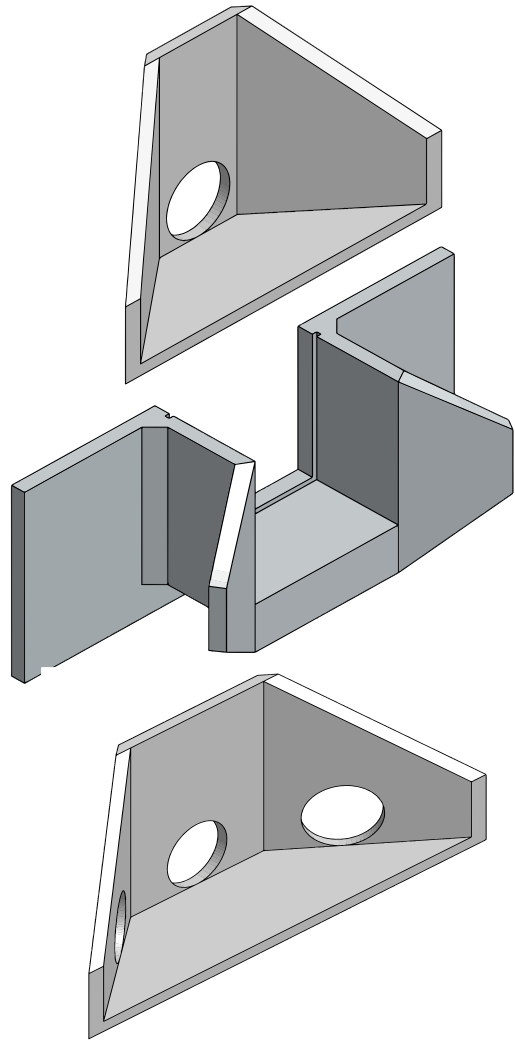
The standard range of configurations can be adapted to suit single and multi-cell applications for pipelines up to 1950mm diameter. Erosion control panels and an earth anchor system are also available, providing flexibility in design. The modular components bolt together, reducing construction time compared with in situ construction and permitting the structures to be relocated.

## **OTHER IRRIGATION HEADWALLS**

A range of specialist headwall structures is available for irrigation applications, such as V-stops, L-stops and drop boxes. These durable structures can regulate water flows from irrigation channels while providing excellent erosion control for bankless channels, reducing ongoing maintenance. Slides or boards can be incorporated for dual control purposes. Contact your local sales office for further details.

## **SPECIAL HEADWALLS**

Rocla Pipeline Products can also manufacture special headwalls to cater for special lifting requirements and site conditions, such as custom headwalls to facilitate irregular pipe entry.



# **FAST, EASY INSTALLATION**

Most Rocla® precast headwalls can be installed easily and quickly by a normal pipe laying crew using standard equipment, enabling backfilling to be completed on the same day.

1. Ensure the site has a firm, stable area to receive the headwalls.
2. Install the headwalls on a binding concrete layer or improved granular bedding.
3. Precast headwalls are designed and manufactured to slide over a pipe or box culvert with minimal effort.
4. In the case of box culvert headwalls, ensure the base is shorter than the box culvert, to take the headwall base.
5. All products are supplied with industry standard lifting points for improved site safety. Standard headwalls can be installed by a small crew.
6. To optimise lifting requirements, Rocla Pipeline Products can supply headwalls in modular units that can be joined together on site with staple joints.
7. Rocla® headwalls should always be handled and installed using the cast-in lifting points.

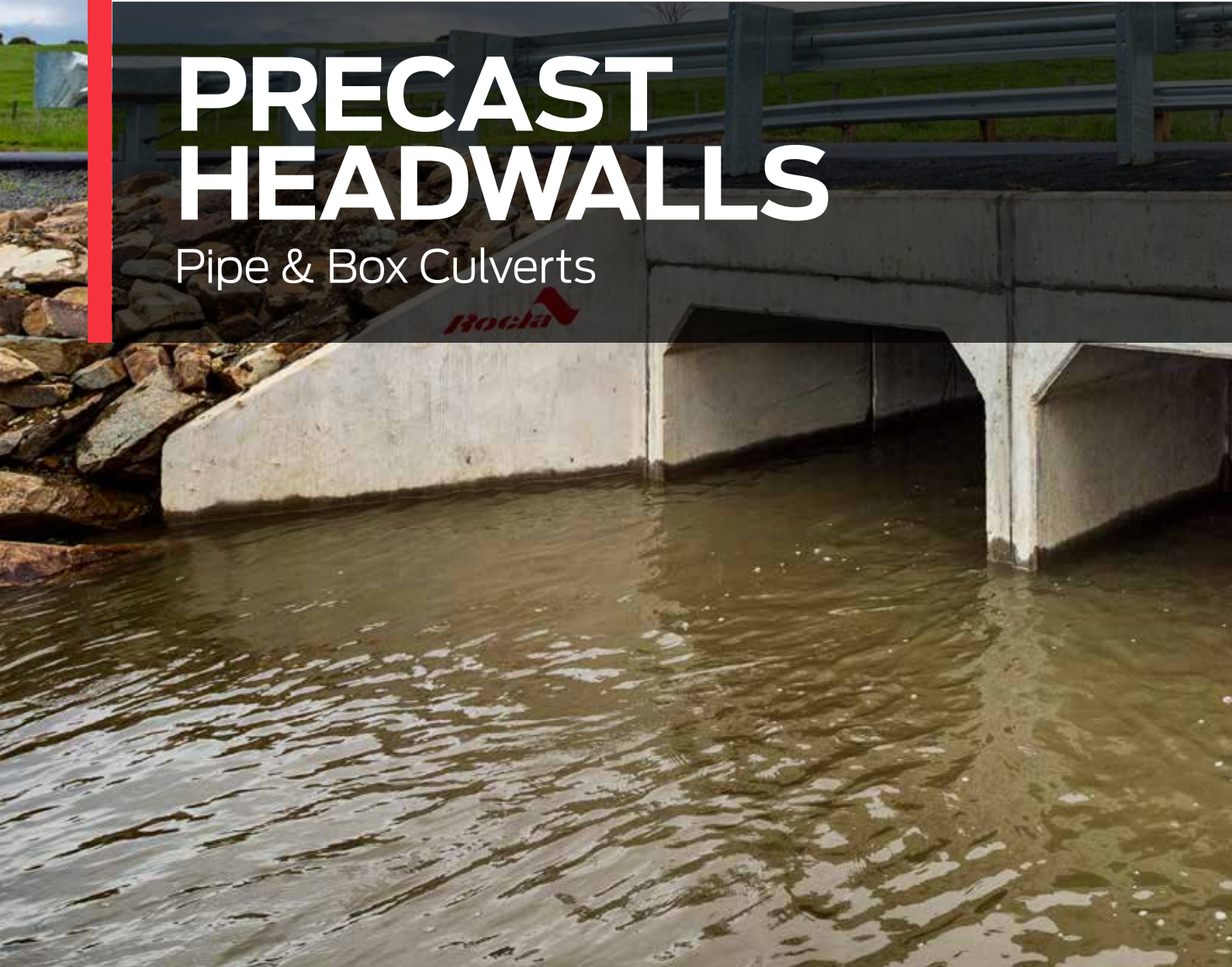




**131 004** [rocla.com.au](http://rocla.com.au)

# PRECAST HEADWALLS

Pipe & Box Culverts



For more information call Rocla on **131 004** or visit [www.rocla.com.au](http://www.rocla.com.au)

The contents of this brochure are copyright and may not be reproduced in any form without the prior written consent of Rocla Pty Limited. Recommendations and advice regarding the use of the products described in this brochure are to be taken as a guide only, and are given without responsibility on the part of the company or its employees. Individual designs involving the use of these products should be undertaken by a competent engineer.

Rocla Pty Limited ABN 31 000 032 191

A member of the Fletcher Building Group.

® Registered trademark of Rocla Pty Limited.

© Rocla Pty Limited, February 2016.

