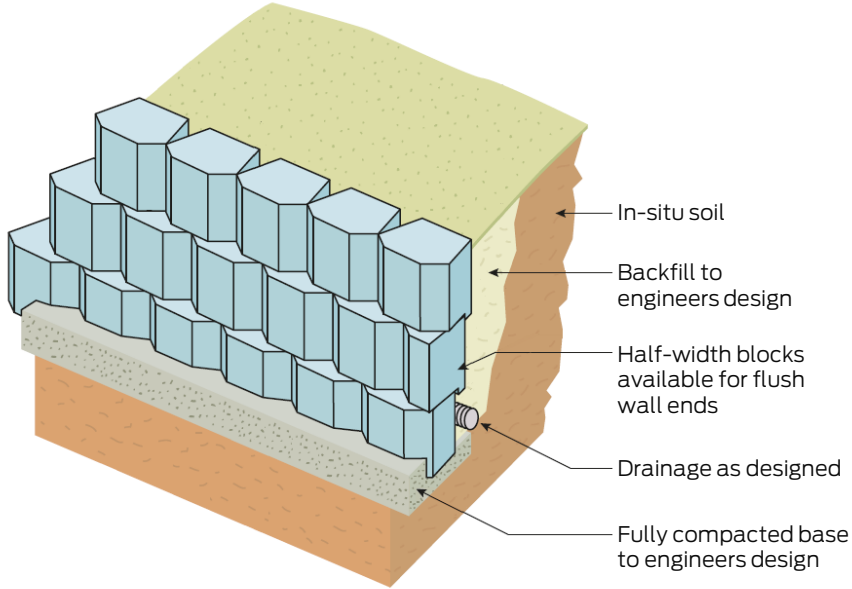
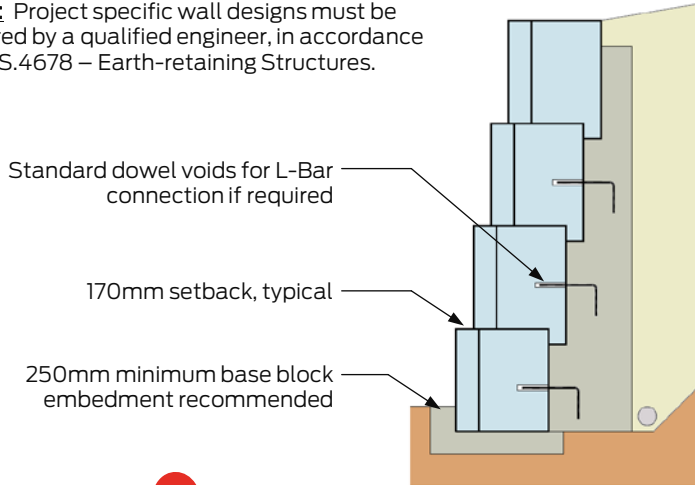


MassBloc 'Instant Wall' System

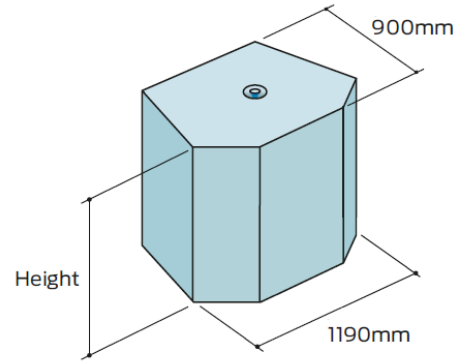


NOTE: Project specific wall designs must be prepared by a qualified engineer, in accordance with AS.4678 – Earth-retaining Structures.



Base Unit

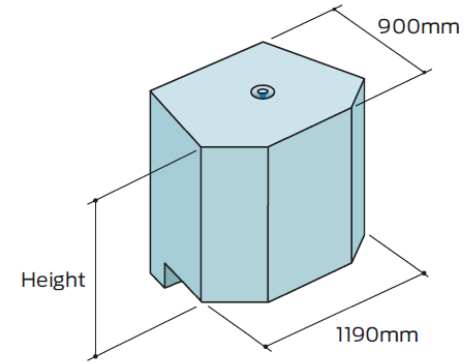
The base unit has a flat base profile and is used solely on the bottom row of the wall.



HEIGHT	MASS
500mm	0.85 t
750mm	1.28 t
1000mm	1.70 t

Standard Unit

The standard unit has a nib at the bottom, interlocking behind the block row below.



HEIGHT	MASS
500mm	0.90 t
750mm	1.32 t
1000mm	1.75 t

Lifting & Handling – MassBloc comes with 1 x 5.0 T SwiftLift, positioned in the top face of each block

