



Hydro-Brake[®] Flow Control

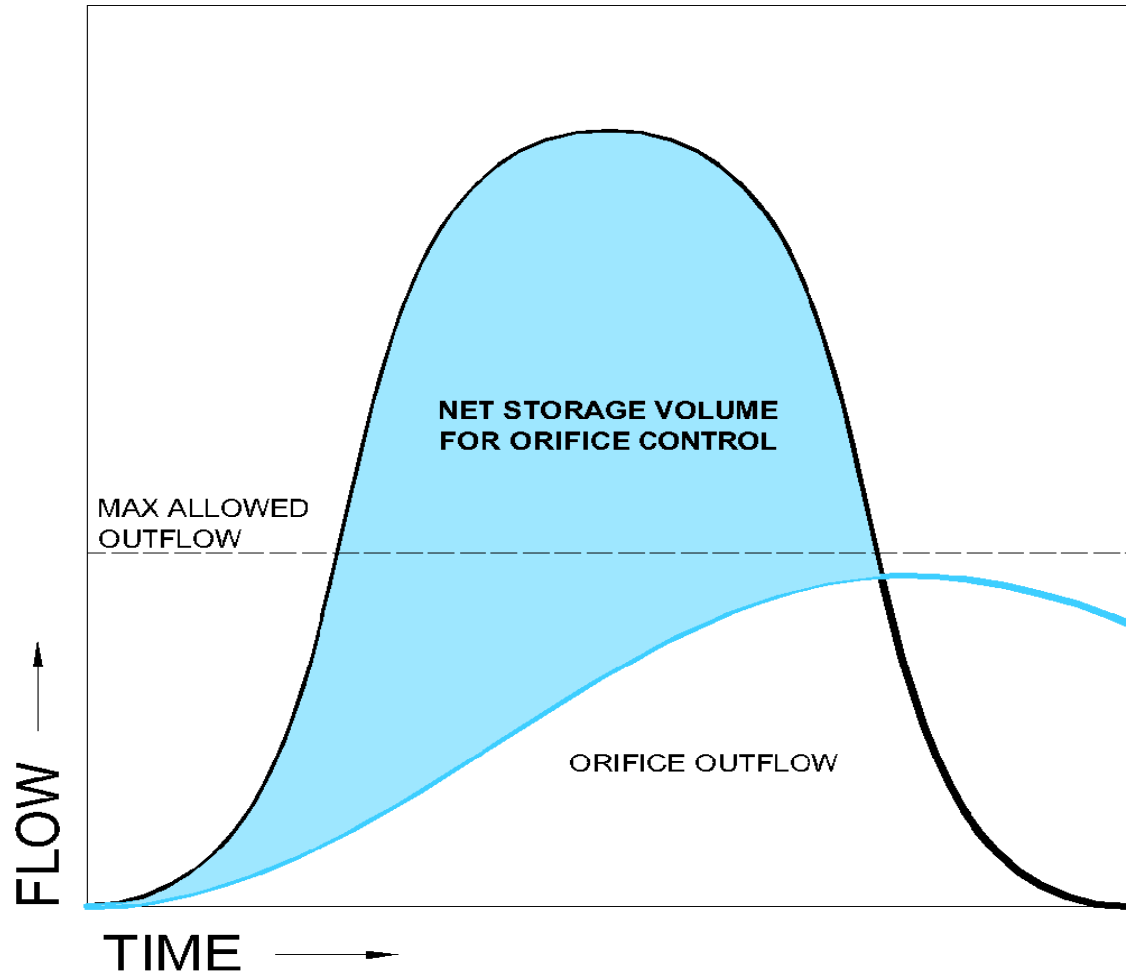
Flow Curve Advantage

STORAGE VOLUME SAVINGS

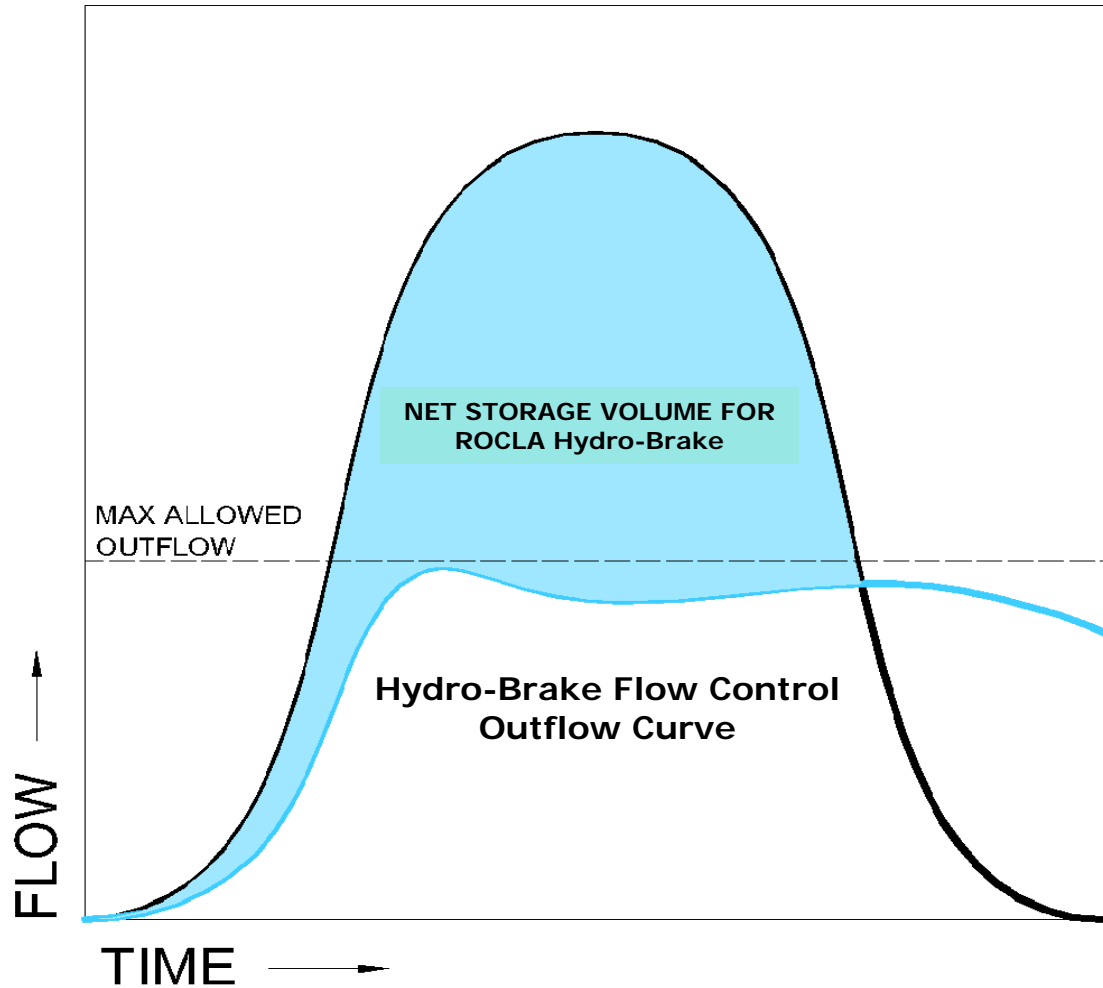


The following series of Hydrographs graphically explain how the Hydro-Brake[®] achieves this volume saving by allowing the early portion of the storm run-off to discharge before self-activating the kick-back flow. This product is created by Hydro International and is available from Rocla under exclusive license in Australia

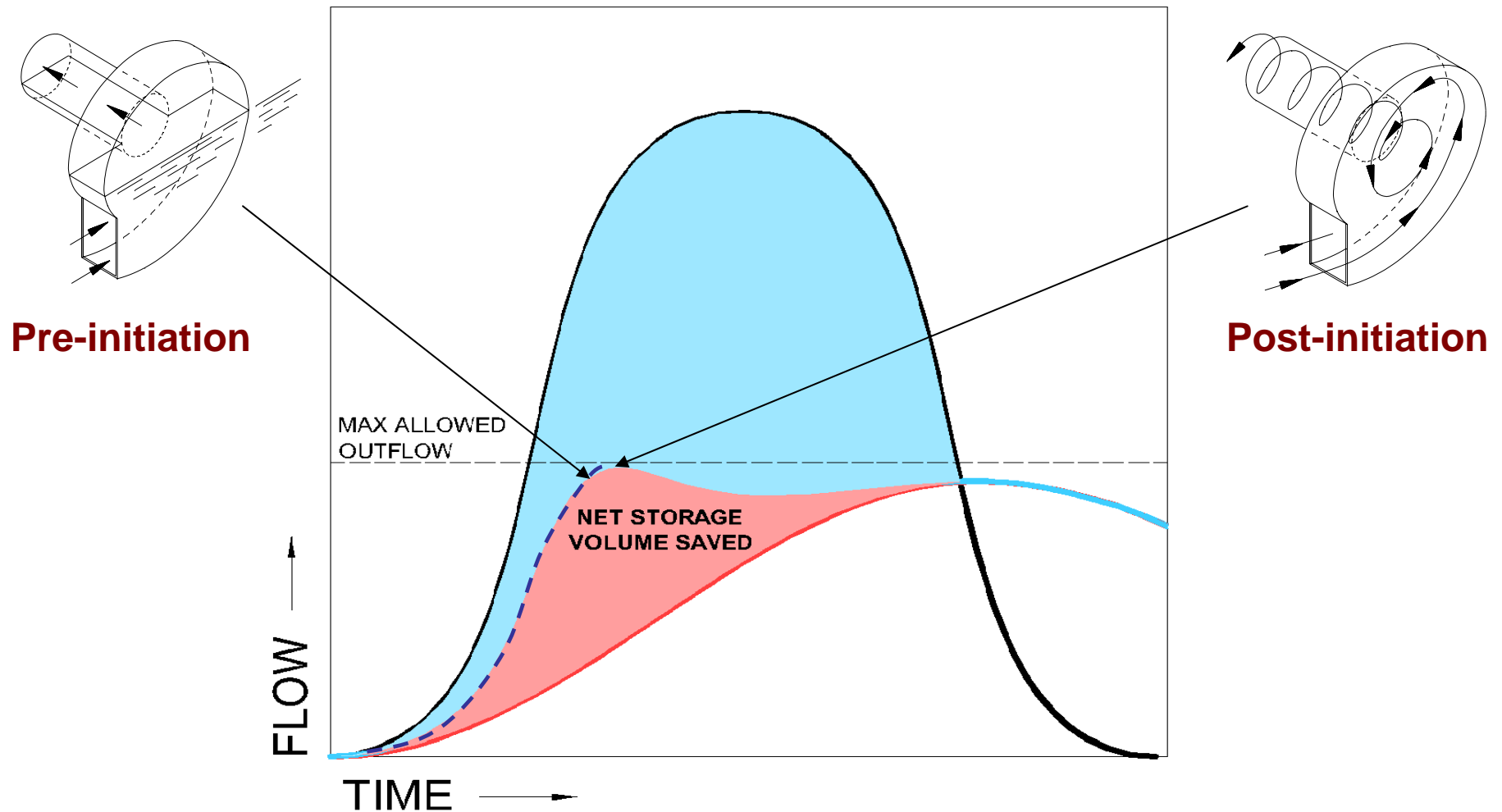
Typical Storm Hydrograph

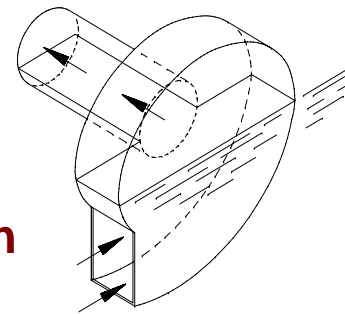
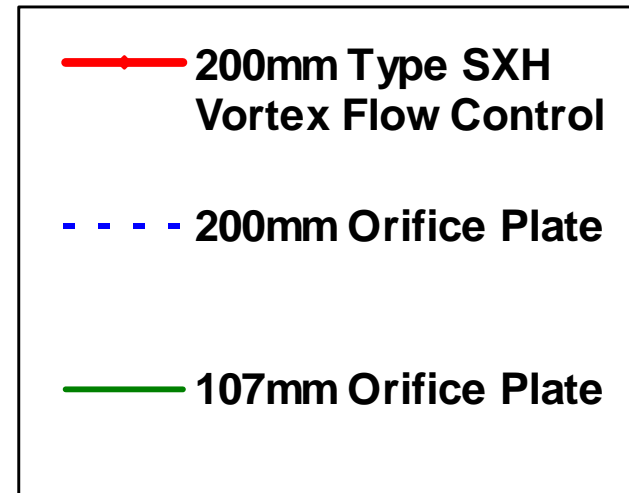
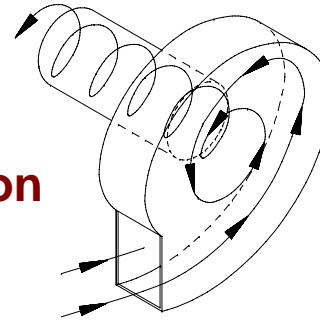
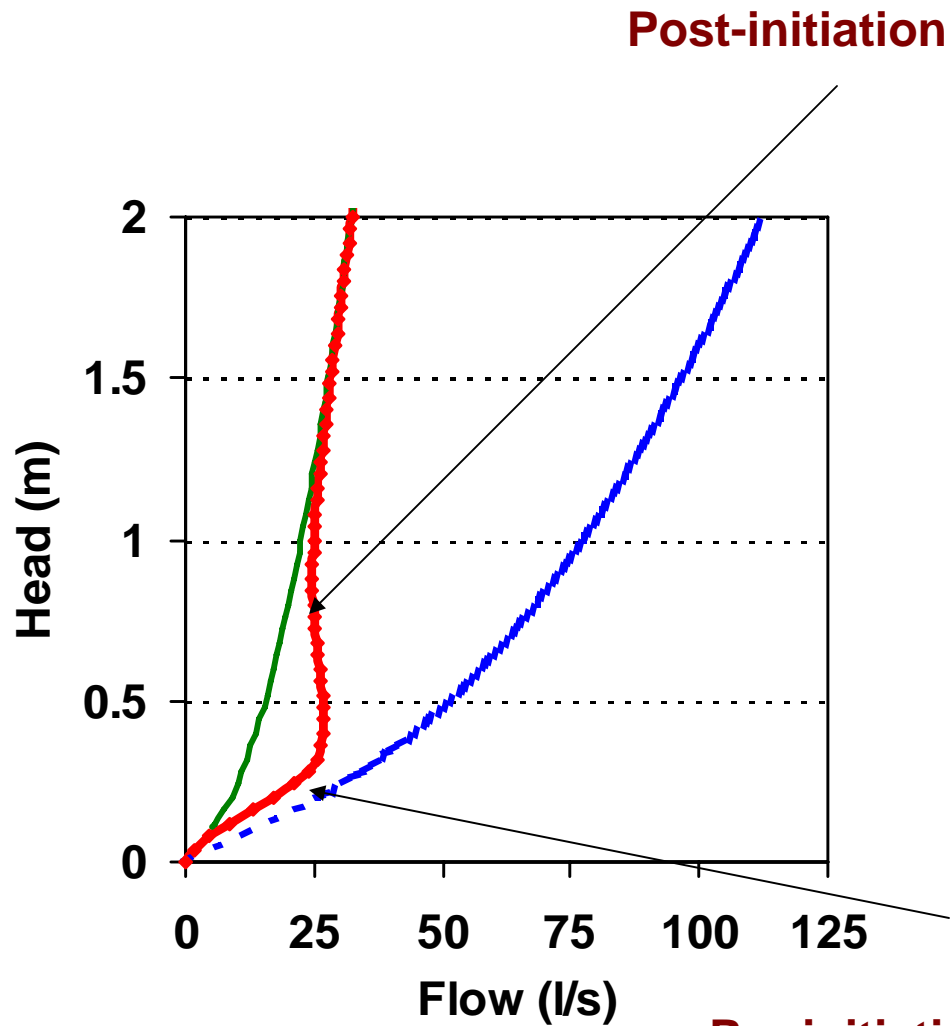


Typical Storm Hydrograph



Typical Storm Hydrograph





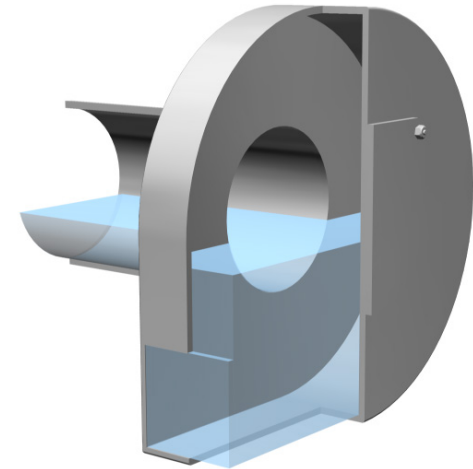
Hydro-Brake® Vortex Valves

Features and Benefits

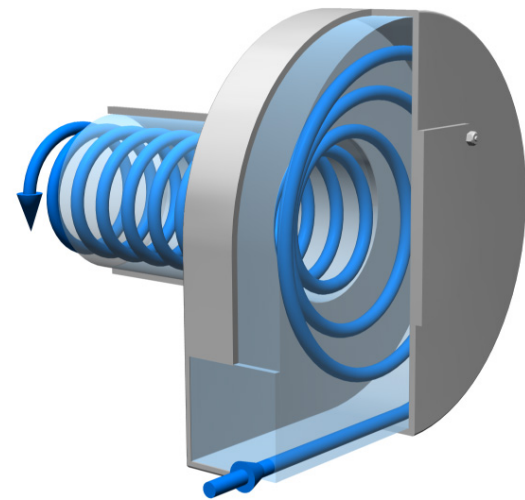
- Large outlet openings
- Provides storage savings up to 30%
- No moving parts
- No external power source
- Self-activating
- Minimal maintenance
- Robust stainless steel construction
- Over 14,000 installations

Applications

- Stormwater control
- Sewage control
- Detention basins
- Flow range: (2 l/s - 3,000 l/s)



Low Flow



Vortex Controlled
Flow