



Bowl Maintenance Shaft



- **Safe sewer inspection.**
- **Efficient hydraulic design.**

SEWER

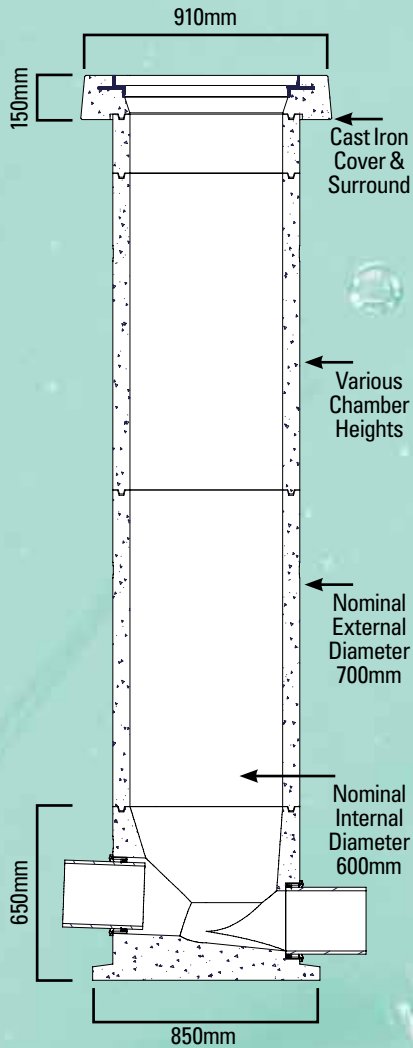


Rocla® Bowl Maintenance Shafts

Rocla® Bowl maintenance shafts provide an ideal alternative to conventional sewer inspection chambers, allowing access for lasers, CCTV devices and remotely operated cleaning and repair equipment, without confined space and OHS issues.

The 600mm diameter prevents access by maintenance personnel, in accordance with workplace health and safety recommendations.

Bowl maintenance shafts feature an advanced conical base for superior hydraulic performance and the entire system is designed for fast, efficient installation.



- Engineered design to AS4198-1994
- Superior hydraulic performance
- Fast, efficient installation eliminates delays of in situ construction
- Nominal 600mm diameter
- 150mm, 225mm inlet and outlet manufactured to site specific requirements
- Deep joint profile prevents water and root intrusion
- Watertight rubber ring connectors for pipe connections
- Quality assured precast components from invert to finished surface level
- Chamber section heights of 300, 450, 600, 750, 900, 1200, 1500, 1800, 2100, 2400
- Class D applications
- Ultimate load to maximum 6 metres from FSL to invert of outlet pipe
- Covers and surrounds designed for heavy duty ultimate vertical live load of 210kN in accordance with AS3996-2006

For more information on Rocla® Bowl maintenance shafts and other precast sewer access systems from Rocla

Call Rocla on
131 004

E-mail your inquiry
solutions@rocla.com.au
Visit our website

www.rocla.com.au



ISO 9001
Lic. No. 0177
SAI Global

Rocla Pty Limited
ABN 31 000 032 191
A member of the Fletcher Building Group
© Trade mark of Rocla Pty Limited
© Rocla Pty Limited, May 2011

This information is as far as possible accurate at the date of publication; however, before application in any situation, Rocla recommends that qualified expert advice be obtained to confirm the suitability of this product and information for the application proposed. While Rocla accepts its legal obligations, be aware that to the extent permitted by law, Rocla disclaims all liability (including liability for negligence) for all loss and damage resulting from the use of this information.

