

RKO™ Stormwater Pits

RKO™ Pits

The modular Rocla® Precast Square Pit system is suitable for junction pits, grated pits and kerb inlet pits to a depth of 4 metres. Preformed knockout sections on all four sides provide easy orientation and pipe connection, as well as larger pipe inlets than other pit systems.



RKO™ Pit Base

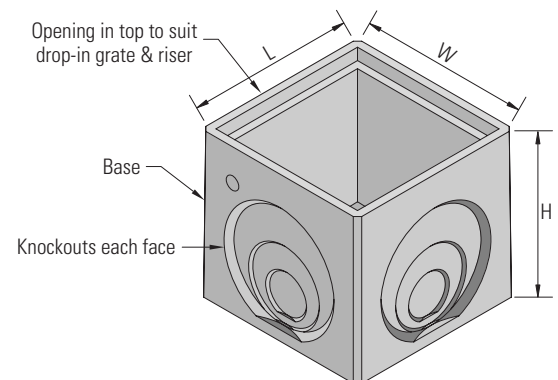


RKO™ Riser

RKO™ Stormwater Pit Bases

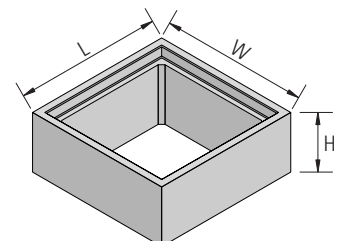
Product Code	Pit Size (mm)	Height (mm)	Overall Length (L) (mm)	Overall Width (W) (mm)	Overall Height (H) (mm)	Max. Pipe (L) (mm)	Max. Pipe (W) (mm)
PBKL0404045C	450 x 450	450	600	600	540	225	225
PBKL0606060C	600 x 600	600	750	750	690	375	375
PBKL0606090C	600 x 600	900	750	750	990	450	450
PBKL0906060E	900 x 600	600	1080	780	700	375	375
PBKL0906090E	900 x 600	900	1080	780	1000	600	450
PBKL0909060E	900 x 900	600	1080	1080	700	375	375
PBKL0909090E	900 x 900	900	1080	1080	1000	600	600

Note: Maximum pipe diameters refer to concrete pipes only. Larger diameter pipes of other materials may be used.



RKO™ Pit Risers

Product Code	Riser Size (mm)	Effective Height (mm)	Wall Thickness (mm)	Overall Length (mm)	Overall Width (mm)	Overall Height (H) (mm)
PRSL0404015C	450 x 450	150	75	600	600	190
PRSL0404030C	450 x 450	300	75	600	600	340
PRSL0606015C	600 x 600	150	75	750	750	190
PRSL0606030C	600 x 600	300	75	750	750	340
PRSL0606060C	600 x 600	600	75	750	750	640
PRSL0906015E	900 x 600	150	90	1080	780	190
PRSL0906030E	900 x 600	300	90	1080	780	340
PRSL0906060E	900 x 600	600	90	1080	780	640
PRSL0909015E	900 x 900	150	90	1080	1080	190
PRSL0909030E	900 x 900	300	90	1080	1080	340
PRSL0909060E	900 x 900	600	90	1080	1080	640



RKO™ Stormwater Pits

Concrete Lids

The concrete lid fits within the preformed rebate at the top of the pit base (or pit riser unit) and is flush with the top of the pit. Concrete lids are only available to suit pedestrian traffic loads (10kN).



Grated Lids

The grated lid fits within the preformed rebate at the top of the pit base (or pit riser unit) and is flush with the top of the pit. Grates are available for Class A (10kN) or Class B (80kN) ultimate load applications.

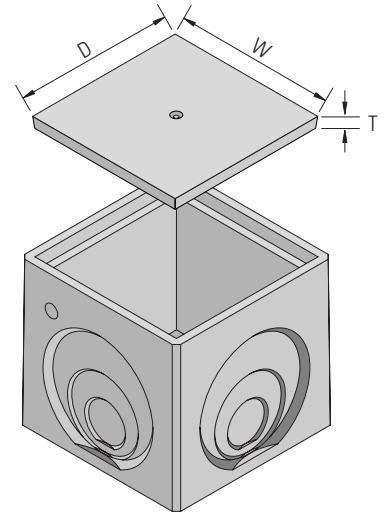


V-Grates



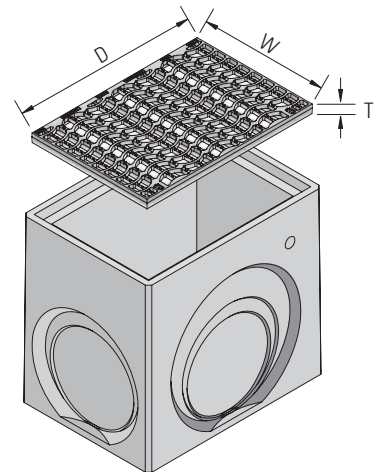
RKO™ Pit Concrete Lids

Product Code	Pit Size (mm)	Class	Lid Dimensions		
			D (mm)	W (mm)	T (mm)
PLL0404A	450 x 450	A	510	510	50
PLL0606A	600 x 600	A	660	660	50



RKO™ Drop-in Grates

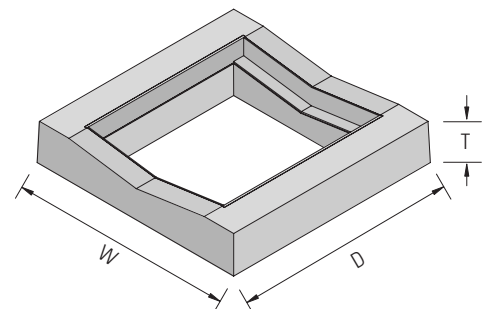
Product Code	Pit Size (mm)	Class	D (mm)	W (mm)	T (mm)
PGL0404DA	450 x 450	A	510	510	50
PGL0606DA	600 x 600	A	660	660	50
PGL0906DA	900 x 600	A	990	690	50
PGL0909DA	900 x 900	A	990	495	50
PGL0404DB	450 x 450	B	510	510	50
PGL0606DB	600 x 600	B	660	660	50
PGL0906DB	900 x 600	B	990	690	50
PGL0909DB	900 x 900	B	990	495	50



Note: 900 x 900 grate is supplied in two 445 x 900 sections.

RKO™ Pit V-Grates with Concrete Surround

Code (Grate)	Code (Surround)	Pit Size	Class	Surround			Grate			Grate Opening (mm)
				D (mm)	W (mm)	T (mm)	D (mm)	W (mm)	T (mm)	
PGL0606VD	PSL0606VD	600 x 600	D	950	950	150	675	625	45	600 x 555
PGL0906VD	PSL0906VD	900 x 600	D	1250	950	150	975	625	45	900 x 555



RKO™ Stormwater Pits

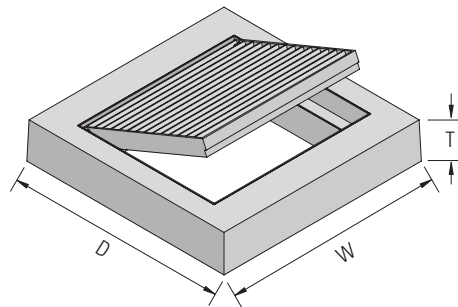
Grated Surrounds

Grates and surrounds are manufactured to suit Class C ultimate load applications in accordance with AS3996. The grates are hinged and lockable.



RKO™ Pit Hinged Galvanised Grate with Concrete Surround

Code (Grate)	Code (Surround)	Pit Size	Class	W (mm)	D (mm)	T (mm)
PGL0404GHC	PSL0404GHC	450 x 450	C	800	800	150
PGL0606GHC	PSL0606GHC	600 x 600	C	950	950	150
PGL0906GHC	PSL0906GHC	900 x 600	C	1250	950	150
PGL0909GHC	PSL0909GHC	900 x 900	C	1250	1250	150



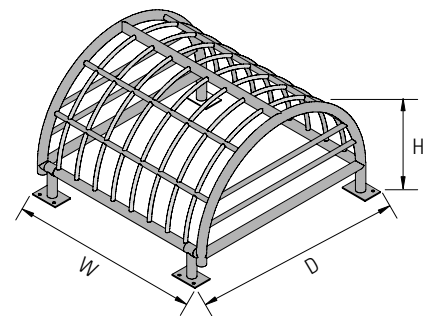
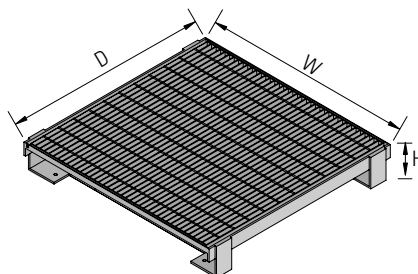
Surcharge Grates

Grates are available to suit Class A (10kN) ultimate load applications in accordance with AS3996.



RKO™ Pit Surcharge Grates

Code (Grate)	Pit Size	Type	Grate Dimensions (mm)		
			W	D	H
PGL0606AA	600 x 600	Flat	900	900	175
PGL0906AA	900 x 600	Flat	900	1225	175
PGL0909AA	900 x 900	Flat	1225	1225	175
PGL0606AZA	600 x 600	Dome	800	800	575
PGL0906AZA	900 x 600	Dome	800	1100	575
PGL0909AZA	900 x 900	Dome	1100	1100	725



Note: Surcharge grates are not supplied with precast concrete surrounds. Appropriate in-situ surrounds are required to meet Local Government and QUDM requirements.

RKO™ Stormwater Pits

Concrete Covers & Surrounds

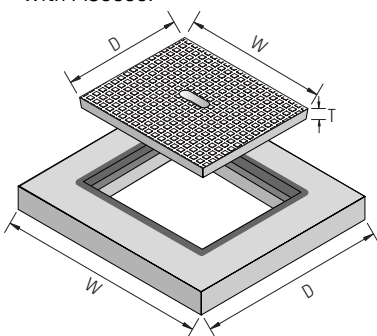
Covers and surrounds are manufactured to suit Class C (150kN) ultimate load applications in accordance with AS3996.

Converter Riser

The converter riser provides a larger bearing area for kerb inlets and other heavy precast products to be mounted on the RKO™ Pit. It also provides a larger mortar joint and allows pits to be adjusted for steep grades and non-standard depths to invert.

Cast Iron Covers

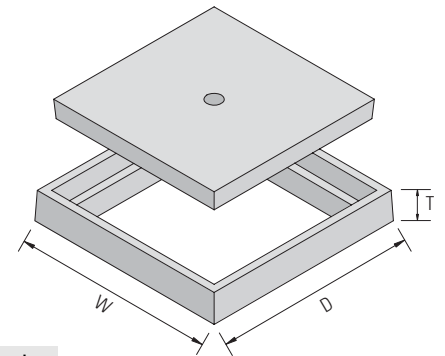
Cast iron covers with concrete surrounds are available to suit Class B (80kN) or Class D (210kN) load applications in accordance with AS3996.



RKO™ Pit Concrete Covers and Surrounds

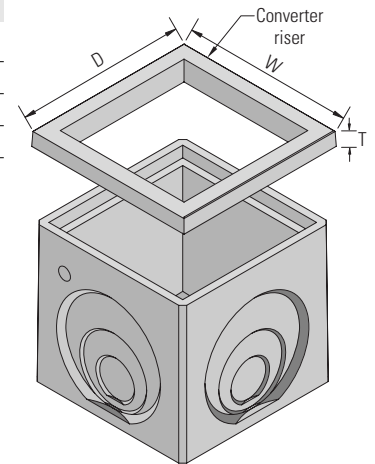
Code (Cover)	Code (Surround)	Pit Size	Class	Surround			Cover		
				D	W	T	D	W	T
PCL0404C	PSL0404C	450 x 450	C	800	800	150	560	560	90
PCL0606C	PSL0606C	600 x 600	C	950	950	150	710	710	90
PCL0906C	PSL0906C	900 x 600	C	1250	950	150	1010	710	100
PCL0909C	PSL0909C	900 x 900	C	1250	1250	150	1010	1010	100

Note: 900 x 900 cover is supplied in two 900 x 450 sections.



RKO™ Pit Converter Riser

Product Code	Pit Size (mm)	D (mm)	W (mm)	T (mm)	Clear Opening (mm)
PCRL0404D	450 x 450	660	660	125	450 x 450
PCRL0606D	600 x 600	810	810	125	600 x 600
PCRL0906D	900 x 600	1110	810	125	900 x 600
PCRL0909D	900 x 900	1110	1110	125	900 x 900



RKO™ Pit Cast Iron Covers and Surrounds

Code (Grate)	Code (Surround)	Pit Size	Class	Surround Dimensions (mm)			Cover Dimensions (mm)		
				D	W	T	D	W	T
PCL0404CB	PSL0404CB	450 x 450	B	870	870	150	505	501	38
PCL0606CB	PSL0606CB	600 x 600	B	1020	1020	150	658	654	38
PCL0609CB	PSL0609CB	600 x 900	B	1320	1020	150	654	962	38
PCL0909CB	PSL0909CB	900 x 900	B	1320	1320	150	962	958	38
PCL0404CD	PSL0404CD	450 x 450	D	870	870	150	536	527	72
PCL0606CD	PSL0606CD	600 x 600	D	1020	1020	150	689	680	72
PCL0609CD	PSL0609CD	600 x 900	D	1320	1020	150	680	993	72
PCL0909CD	PSL0909CD	900 x 900	D	1320	1320	150	993	984	72

Note: Clear Opening dimensions is the same as Pit size