

## RKO™ Stormwater Pit

### RKO™ Pits

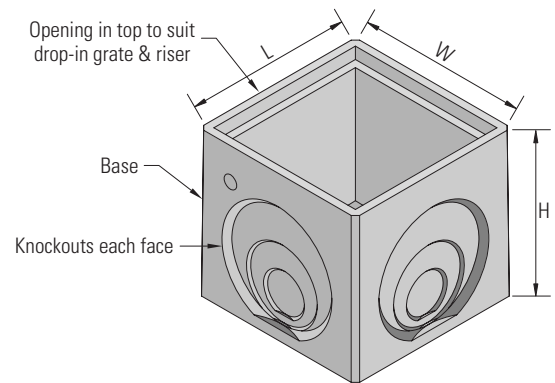
The modular Rocla® Precast Square Pit system is suitable for junction pits, grated pits and kerb inlet pits to a depth of 4 metres. Preformed knockout sections on all four sides provide easy orientation and pipe connection, as well as larger pipe inlets than other pit systems.



### RKO™ Stormwater Pit Bases

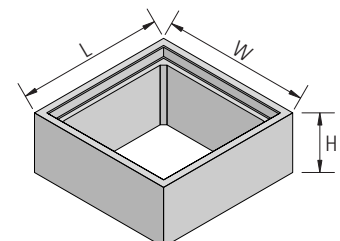
Product Code	Pit Size (mm)	Height (mm)	Overall Length (L) (mm)	Overall Width (W) (mm)	Overall Height (H) (mm)	Max. Pipe (L) (mm)	Max. Pipe (W) (mm)
PBKLO404045C	450 x 450	450	600	600	540	225	225
PBKLO606060C	600 x 600	600	750	750	690	375	375
PBKLO606090C	600 x 600	900	750	750	990	450	450
PBKLO906060E	900 x 600	600	1080	780	700	375	375
PBKLO906090E	900 x 600	900	1080	780	1000	600	450
PBKLO909060E	900 x 900	600	1080	1080	700	375	375
PBKLO909090E	900 x 900	900	1080	1080	1000	600	600

*Note: Maximum pipe diameters refer to concrete pipes only. Larger diameter pipes of other materials may be used.*



### RKO™ Pit Risers

Product Code	Riser Size (mm)	Effective Height (mm)	Wall Thickness (mm)	Overall Length (mm)	Overall Width (mm)	Overall Height (H) (mm)
PRSL0404015C	450 x 450	150	75	600	600	190
PRSL0404030C	450 x 450	300	75	600	600	340
PRSL0606015C	600 x 600	150	75	750	750	190
PRSL0606030C	600 x 600	300	75	750	750	340
PRSL0606060C	600 x 600	600	75	750	750	640
PRSL0906015E	900 x 600	150	90	1080	780	190
PRSL0906030E	900 x 600	300	90	1080	780	340
PRSL0906060E	900 x 600	600	90	1080	780	640
PRSL0909015E	900 x 900	150	90	1080	1080	190
PRSL0909030E	900 x 900	300	90	1080	1080	340
PRSL0909060E	900 x 900	600	90	1080	1080	640



## RKO™ Stormwater Pit

### Concrete Lids

The concrete lid fits within the preformed rebate at the top of the pit base (or pit riser unit) and is flush with the top of the pit. Concrete lids are only available to suit pedestrian traffic loads (10kN).

### Concrete Covers & Surrounds

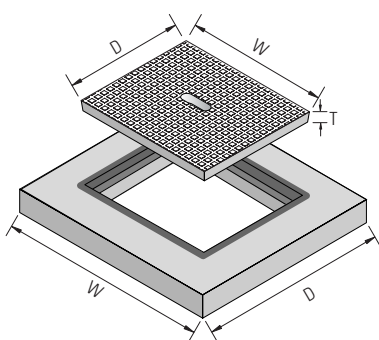
Covers and surrounds are manufactured to suit Class C (150kN) ultimate load applications in accordance with AS3996.

### Two Piece Cover

The surround for the 900 x 900 pit accommodates two covers for ease of handling. These covers and surrounds are manufactured to suit Class C (150kN) ultimate load applications in accordance with AS3996.

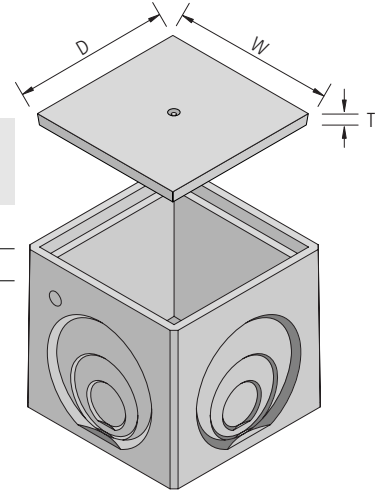
### Cast Iron Covers

Cast iron covers with concrete surrounds are available to suit Class B (80kN) or Class D (210kN) load applications in accordance with AS3996.



### RKO™ Pit Concrete Lids

Product Code	Pit Size (mm)	Class	Lid Dimensions		
			D (mm)	W (mm)	T (mm)
PLL0404A	450 x 450	A	510	510	50
PLL0606A	600 x 600	A	660	660	50

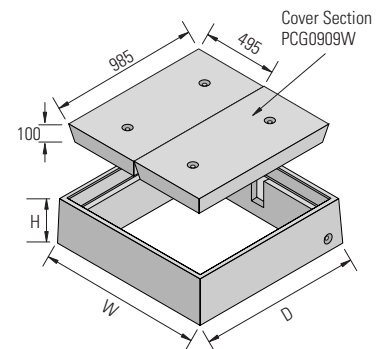
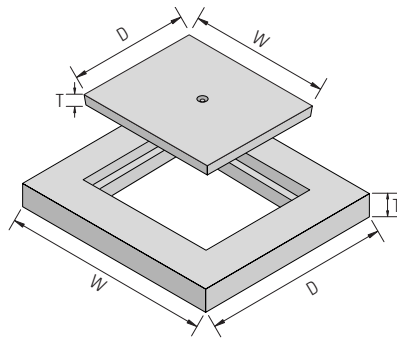


### RKO™ Pit Concrete Covers and Surrounds

Code (Cover)	Code (Surround)	Pit Size	Class	Surround			Cover		
				D	W	T	D	W	T
PCL0404C	PSL0404C	450 x 450	C	800	800	150	560	560	90
PCL0606C	PSL0606C	600 x 600	C	950	950	150	710	710	90
PCL0906C	PSL0906C	900 x 600	C	1250	950	150	1010	710	100

#### Two Piece Cover

Product Code	Pit Size	Surround Dimensions			Cover
		W (mm)	D (mm)	H (mm)	
PCL0909C	900 x 900	1010	1010	100	see diagram below



### RKO™ Pit Cast Iron Covers and Surrounds

Code (Grate)	Code (Surround)	Pit Size	Class	Surround Dimensions (mm)			Cover Dimensions (mm)		
				D	W	T	D	W	T
PCL0404CB	PSL0404CB	450 x 450	B	870	870	150	505	501	38
PCL0606CB	PSL0606CB	600 x 600	B	1020	1020	150	658	654	38
PCL0609CB	PSL0609CB	600 x 900	B	1320	1020	150	654	962	38
PCL0909CB	PSL0909CB	900 x 900	B	1320	1320	150	962	958	38
PCL0404CD	PSL0404CD	450 x 450	D	870	870	150	536	527	72
PCL0606CD	PSL0606CD	600 x 600	D	1020	1020	150	689	680	72
PCL0609CD	PSL0609CD	600 x 900	D	1320	1020	150	680	993	72
PCL0909CD	PSL0909CD	900 x 900	D	1320	1320	150	993	984	72

Note: Clear Opening dimensions is the same as Pit size

## RKO™ Stormwater Pit

### Drop-in Grates

The drop-in grate fits within the preformed rebate at the top of the pit base (or pit riser unit). Grates are supplied for Class A or B load applications in conformance with the load categories in AS3996 (Class A: 10kN – pedestrian loads; Class B: 80kN – light duty). Product codes shown are for Class A. For Class B, replace the “A” in the code with “B”.



### Hinged Grated Inlets

Hinged grates and surrounds are manufactured to suit Class C (150kN) ultimate load applications in accordance with AS3996. Grates and surrounds for other load applications are also available. Drop-in mortar type grates may be available for 450 x 450 and 600 x 600 pits.

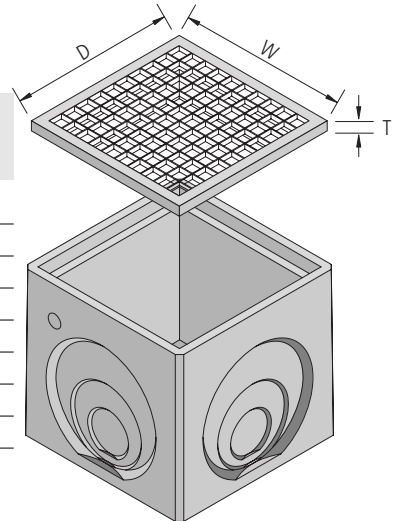
Contact Rocla for further information.



### RKO™ Pit Drop-in Grates

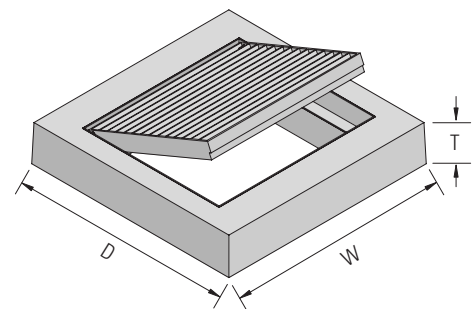
Product Code	Pit Size (mm)	Class	D (mm)	W (mm)	T (mm)
PGA0404DA	450 x 450	A	510	510	50
PGA0606DA	600 x 600	A	660	660	50
PGA0906DA	900 x 600	A	990	690	50
PGA0909DA	900 x 900	A	990	495	50
PGA0404DB	450 x 450	B	510	510	50
PGA0606DB	600 x 600	B	660	660	50
PGA0906DB	900 x 600	B	990	690	50
PGA0909DB	900 x 900	B	990	495	50

Note: 900 x 900 grate is supplied in two 445 x 900 sections.



### RKO™ Pit Grated Surrounds

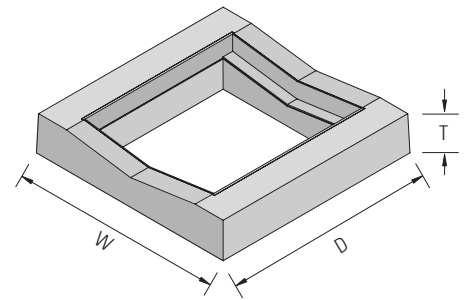
Product Code	Pit Size (mm)	Surround Dimensions (mm)			Grate Clear Opening (mm)
		D (mm)	W (mm)	T (mm)	
CPSG600SHM	450 x 450	700	700	160	300 x 300
CPSG750SHM	600 x 600	870	870	160	400 x 400
CPSG1050SHM	900 x 600	1200	1200	160	650 x 650
CPSG1050SHM	900 x 900	1200	1200	160	650 x 650



**RKO™ Stormwater Pit**
**V-Grates**

**RKO™ Pit V-Grates with Concrete Surrounds**

Code (Grate)	Code (Surround)	Pit Size	Class	Surround			Grate			Grate Opening (mm)
				D (mm)	W (mm)	T (mm)	D (mm)	W (mm)	T (mm)	
PGL0606VD	PSL0606VD	600 x 600	D	950	950	150	675	625	45	600 x 555
PGL0906VD	PSL0906VD	900 x 600	D	1250	950	150	975	625	45	900 x 555


**Gully Grates (Surcharge Grates)**

Grates and surrounds are available to suit Class C (150kN) ultimate load applications in accordance with AS3996. Grates are hinged and lockable


**RKO™ Pit Gully Grates (Surcharge Grates)**

Product Code	Pit Size (mm)	Surround Dimensions			Grate Dimensions		
		W (mm)	D (mm)	T (mm)	A (mm)	B (mm)	H (mm)
CPSG900SFM	900 x 600	1165	1165	150	980	900	155
CPSG900SFM	900 x 900	1165	1165	150	980	900	155

