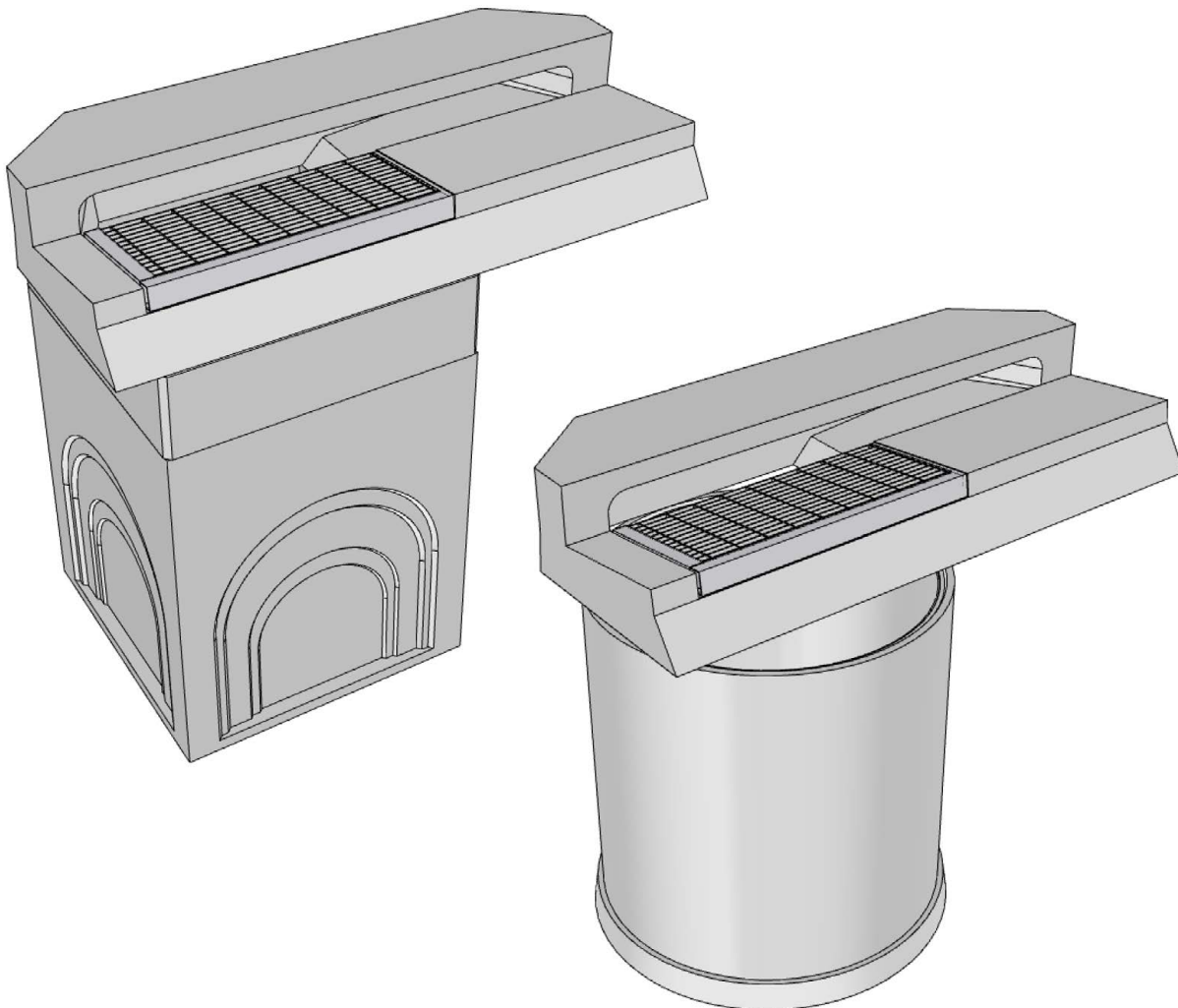




One-piece Kerb Inlet

Single unit for fast pit top construction



PRODUCT BROCHURE



131 004 rocla.com.au solutions@rocla.com.au



ROCLA® ONE-PIECE KERB INLET

The Rocla® one-piece kerb inlet is modelled on NSW Department of Housing parameters and is compatible with most NSW local government kerb profiles. It is suitable for use on Rocla CPO® Pits from 900mm to 1200mm diameter and RKO® Pits 900 x 750 and 900 x 900.

HIGH QUALITY MANUFACTURE

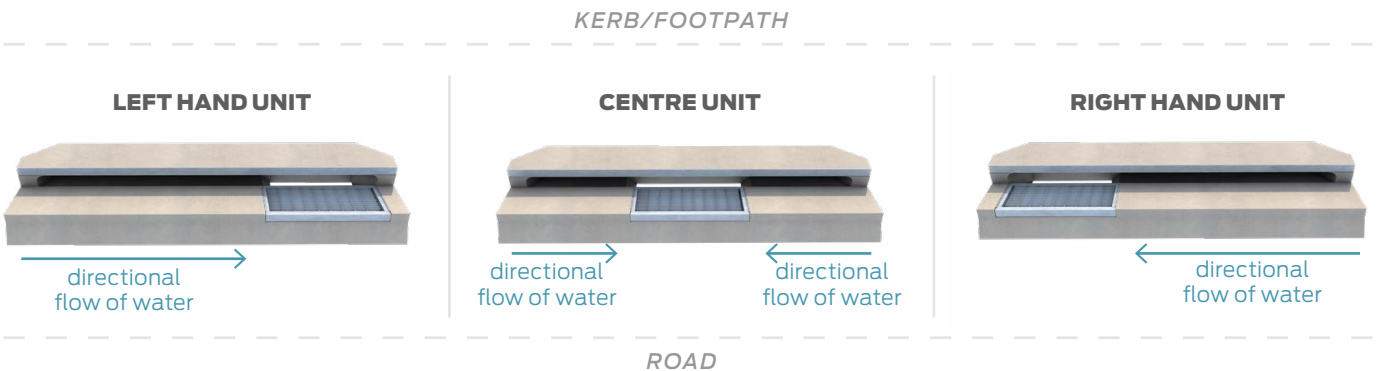
Rocla® one-piece kerb inlets are manufactured from high quality reinforced concrete as single, sturdy units. This engineered product provides the ideal solution to stormwater pit inlet construction. Includes clear-span lintel and integrated inlet channel for effective hydraulic performance. The functional, attractive design matches modern kerbing and guttering. The units are manufactured in a range of standard lengths, with steel grates positioned in left-hand, right-hand or sag configurations.

FAST, CONVENIENT INSTALLATION

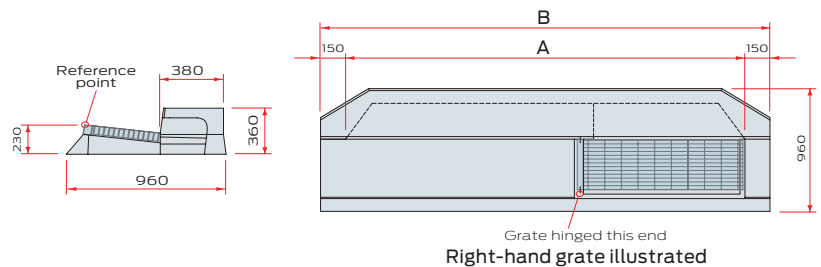
- Single, precast unit is quick to install, providing a convenient, high quality pit-top construction.
- Precast trough removes the need for benching on site.
- Grates available to meet most council requirements.
- Can be located on Rocla CPO® and RKO® stormwater pits, or standard council insitu pits.

OKIC TERMINOLOGY TABLE

When standing on kerb/ footpath looking towards the road, what side is the grate on?



DIMENSIONS AND MASS				
Nom. Opening	1.2m	1.8m	2.4m	3.0m
A (mm)	1200	1800	2400	3000
B (mm)	1500	2100	2700	3300
Mass (kg)	480	750	1040	1310



Kerb Inlets are identified by the nominal opening size when ordering.



For more information, visit rocla.com.au, email solutions@rocla.com.au or call Rocla on 131 004

The contents of this brochure are copyright and may not be reproduced in any form without the prior written consent of Rocla Pty Limited.

Recommendations and advice regarding the use of the products described in this brochure are to be taken as a guide only, and are given without responsibility on the part of the company or its employees. Individual designs involving the use of these products should be undertaken by a competent engineer.

Rocla Pty Limited ABN 31 000 032 191.
A member of the Fletcher Building Group.

® Registered trademark of Rocla Pty Limited.
© Rocla Pty Limited, September 2015.



Quality Endorsed Company

ISO 9001
Lic. No. 0177
SAI Global