

## Headwalls

### High Bulkhead Headwalls

High bulkhead irrigation headwalls are available with rebates for boards and rubber inserts for slides (for dual control). They are particularly suited to extra-high channels or road crossings.

These headwalls are supplied with Rubber Ring Joint pipe connections, providing a water-resistant joint that does not require any grout between the pipe and the headwall. A spigot-to-spigot pipe is required to complete the installation (generally available in a 2.44m length only).



Irrigation headwall



Irrigation headwall with sill

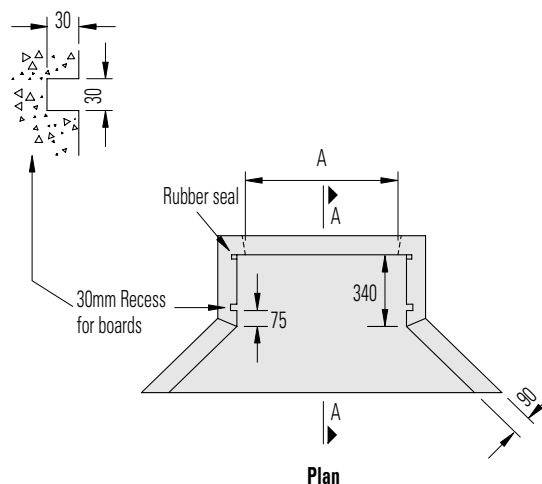
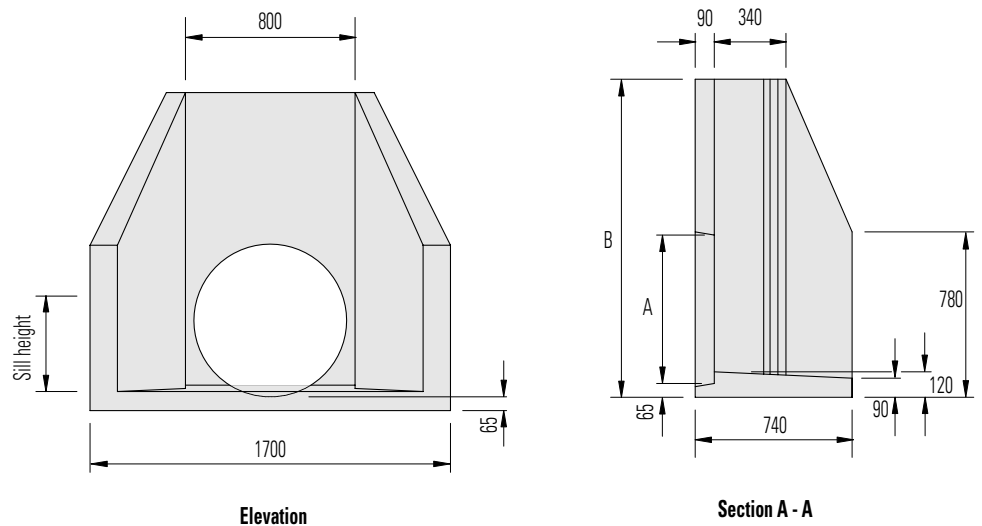
### High Bulkhead Irrigation Headwalls

Product Code	Nom. Pipe Size	Nominal Dim (mm)	
		A	B
HWG375E	375	460	1100
HWG450E	450	545	1300
HWG525E	525	630	1300
HWG600E	600	720	1500
HWG675E	675	780	1500

### Standard Sills (Aprons)

Product Code	Height (mm)	Thickness (mm)
HWGAPR170020	200	75
HWGAPR170030	300	75
HWGAPR170045	450	75
HWGAPR170060	600	75

Note: For headwalls with rubber inserts, replace "E" at end of product code with "ES".



## Headwalls

### Irrigation Headwalls

Irrigation headwalls are supplied either with a rebate for a board or with a rebate and rubber insert to suit a board and slide combination.

### Rubber Ring Pipe Joints

These headwalls are supplied with Rubber Ring Joint pipe connections, providing a water-resistant joint that does not require any grout between the pipe and the headwall. A spigot-to-spigot pipe is required to complete the installation (generally available in a 2.44m length only).

### Mortared Pipe Joints

For mortar joint pipes, delete the "K" from the product code and allow an extra 20mm for the hole size (dimension A).



Partial base headwall with rebate for board



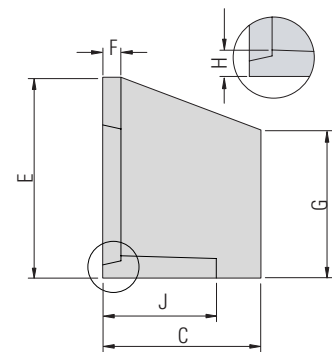
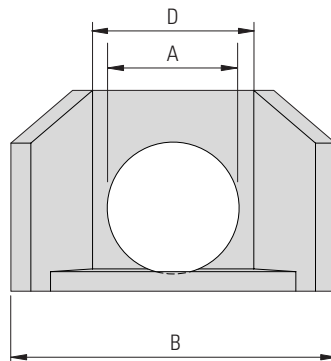
Fullbase headwall with rebate for board



Headwall with rebate and rubber insert for board and metal slide

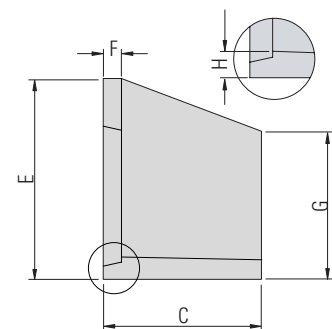
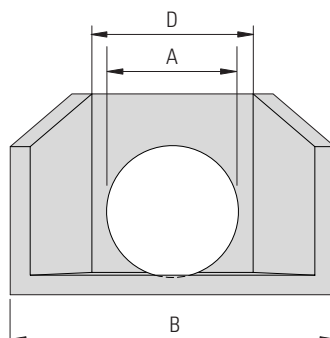
### Small Irrigation Headwalls – Partial Base

Product Code (Rebate Only)	Product Code (Slide Rubber & Rebate)	Pipe Size	Nominal Dimensions (mm)								
			A	B	C	D	E	F	G	H	J
HWG225GKP	HWG225SKP	225	305	1100	550	620	720	75	550	80	150
HWG300GKP	HWG300SKP	300	370	1100	550	620	720	75	550	80	150
HWG375GKP	HWG375SKP	375	465	1100	550	620	720	75	550	80	150



### Small Irrigation Headwalls – Full Base

Product Code (Rebate Only)	Product Code (Slide Rubber & Rebate)	Pipe Size	Nominal Dimensions (mm)							
			A	B	C	D	E	F	G	H
HWG225GK	HWG225SK	225	305	1575	660	740	900	80	700	80
HWG300GK	HWG300SK	300	365	1575	660	740	900	80	700	80
HWG375GK	HWG375SK	375	450	1575	660	740	900	80	700	80
HWG450GK	HWG450SK	450	535	1575	660	740	900	80	700	80
HWG525GK	HWG525SK	525	620	1670	700	800	1040	90	780	100
HWG600GK	HWG600SK	600	705	1670	700	800	1040	90	780	100



## Headwalls

### L-Stops

Rocla® L-Stops are a simple and efficient way to regulate water flow in irrigation channels. They are ideal for bankless channels and can be provided with an apron and wing walls to reduce scour.

L-Stops are provided with a rebate to suit a board or with a rubber insert to suit a metal slide.



Typical L-Stop



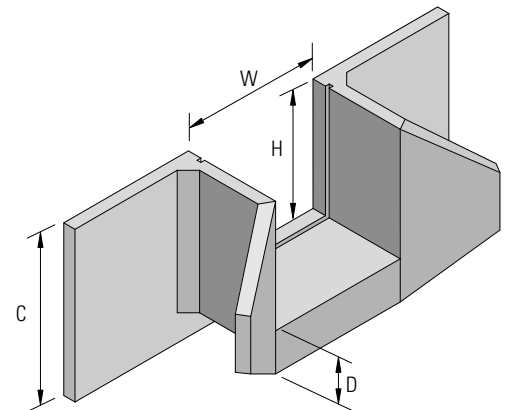
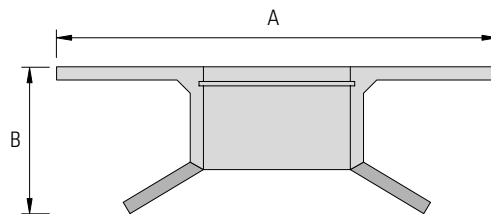
L-Stop with rebate for board



L-Stop with rubber insert for slide

### Irrigation L-Stops

Product Code (Rebate Only)	Product Code (Slide Rubber & Rebate)	Nominal Opening Size W x H (mm)	Nominal Dimensions (mm)			
			A	B	C	D
LSTOP600500W	LSTOP600500WS	600 x 500	2815	1160	658	160
LSTOP600600W	LSTOP600600WS	600 x 600	2815	1160	758	160
LSTOP700700W	LSTOP700700WS	700 x 700	2815	1160	954	255
LSTOP900700W	LSTOP900700WS	900 x 700	2715	1160	1000	305
LSTOP900800W	LSTOP900800WS	900 x 800	2715	1160	1100	300
LSTOP900900W	LSTOP900900WS	900 x 900	2715	1140	1195	300
LSTOP1000800W	LSTOP1000800WS	1000 x 800	2410	1030	1100	300
LSTOP1000900W	LSTOP1000900WS	1000 x 900	1815	810	1197	300
LSTOP10001000W	LSTOP10001000WS	1000 x 1000	1815	810	1307	300



Step treads are available for 600, 700, 900 and 1000mm span units. The step treads are 200mm wide, with an effective height of 75mm.