

## Headwalls

### Small Pipe Headwalls

Used primarily for drainage applications. Annulus between pipe and headwall should be grouted after installation.



### Large Pipe Headwalls

Used for drainage and irrigation applications. May need to grout annulus between pipe and headwall.



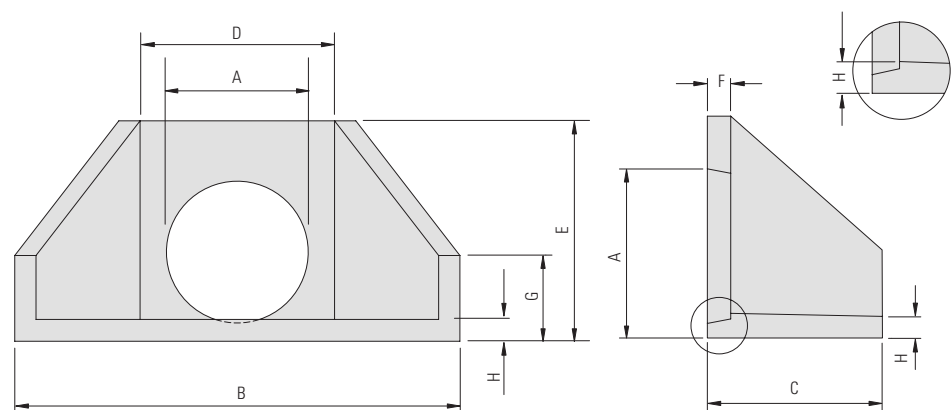
*Note: Large headwalls require appropriate slope stability checks.*

### Small Pipe Headwalls

Pipe Size	Nominal Dimensions (mm)							
	A	B	C	D	E	F	G	H
225	305	1575	640	740	695	80	520	80
300	385	1575	640	740	695	80	520	80
375	455	1575	640	740	695	80	520	80
450	545	1575	640	740	900	80	720	80
525	630	1700	690	800	1040	90	780	100
600	720	1700	690	800	1040	90	780	100
675	785	2020	1010	1200	1410	90	1100	140
750	905	2020	1010	1200	1410	90	1100	140
825	950	2020	1010	1200	1410	90	1100	140
900	1070	2020	1010	1200	1410	90	1100	140

### Large Pipe Headwalls

Product Code	Pipe Size	Nominal Dimensions (mm)							
		A	B	C	D	E	F	G	H
HWC1050JV	1050	1215	3415	1620	1515	1520	120	520	120
HWC1200JV	1200	1385	3415	1620	1515	1670	120	670	120
HWC1350JV	1350	1545	3915	1620	2015	1900	120	900	120
HWC1500JV	1500	1710	3915	1620	2015	2065	120	1065	120
HWC1650JV	1650	1900	5010	2400	2100	2180	120	660	150
HWC1800JV	1800	2040	5010	2400	2100	2320	120	800	150
HWC1950JV	1950	2230	5310	2400	2400	2580	120	1060	150
HWC2100JV	2100	2355	5310	2400	2400	2705	120	1185	150
HWC2250JV	2250	2600	5610	2400	2700	2900	120	1380	150
HWC2400JW	2400	2680	5644	2400	2700	3000	150	1500	180
HWC2550JW	2550	2830	6537	3000	3000	3110	150	1210	180



## Headwalls

### Multi-cell Pipe Headwalls

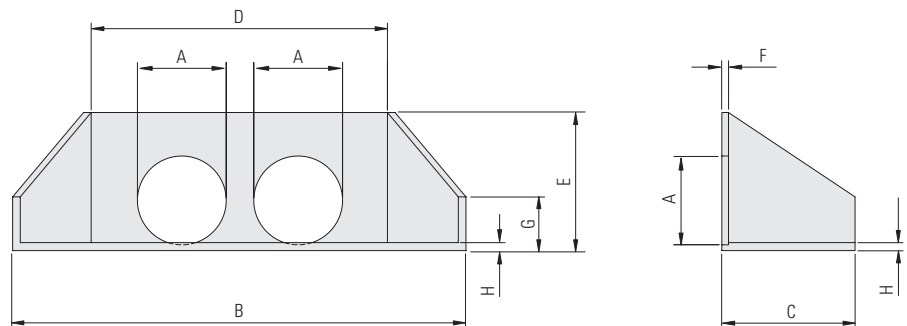
Rocla manufactures multi-cell headwalls in a range of standard sizes, as well as customised versions to suit individual site requirements.

Multi-cell headwalls can be supplied in sections to aid handling on site. Refer to Rocla for details of jointing multi-cell headwalls.



### Twin-cell Pipe Headwalls

Product Code	Pipe Size	Type	Nominal Dimensions (mm)							
			A	B	C	D	E	F	G	H
HWC300JZ02	300	One Piece	378	1756	650	1180	840	90	467	90
HWC375JZ02	375	One Piece	460	2351	650	1775	840	90	467	90
HWC450JZ02	450	One Piece	545	2351	650	1775	840	90	467	90
HWC525JZ02	525	One Piece	630	2351	650	1775	840	90	467	90
HWC600JZ02	600	One Piece	710	2826	780	2160	1035	90	575	90
HWC675JZ02	675	One Piece	800	2984	1010	2160	1120	90	507	90
HWC750JZ02	750	One Piece	885	2984	1010	2160	1120	90	507	90
HWC825JZ02	825	One Piece	985	3329	1010	2505	1300	90	687	90
HWC900JZ02	900	One Piece	1060	3329	1010	2505	1300	90	687	90
HWC1050JZ02	1050	One Piece	1215	4715	1620	2815	1520	120	520	120
HWC1200JZ02	1200	One Piece	1385	5215	1620	3315	1670	120	670	120
HWC1350JZ02	1350	One Piece	1545	5415	1620	3515	1900	120	900	120
HWC1500JZ02	1500	One Piece	1710	5915	1620	4015	2065	120	1065	120
HWC1650JZ02	1650	Two Piece	1900	7070	2400	4160	2180	120	660	150
HWC1800JZ02	1800	Two Piece	2040	7370	2400	4460	2320	120	800	150
HWC1950JZ02	1950	Two Piece	2230	7730	2400	4820	2580	120	1060	150
HWC2100JZ02	2100	Two Piece	2355	8005	2400	5095	2705	120	1185	150
HWC2250JZ02	2250	Two Piece	2600	8490	2400	5580	2900	120	1380	150
HWC2400JZ02	2400	Two Piece	2680	8684	2400	5740	3000	150	1500	180
HWC2550JZ02	2550	Two Piece	2830	9644	3000	6007	3110	150	1210	180



*Note: The above dimensions are approximate only and are based on a pipe spacing of 300mm (between the outside of the pipes). Other spacings are available. Contact Rocla for details.*

## Headwalls

### Multi-cell Pipe Headwalls

Multi-cell pipe headwalls can be supplied with virtually any number of cells.



25-cell 750mm diameter pipe headwalls under rail line



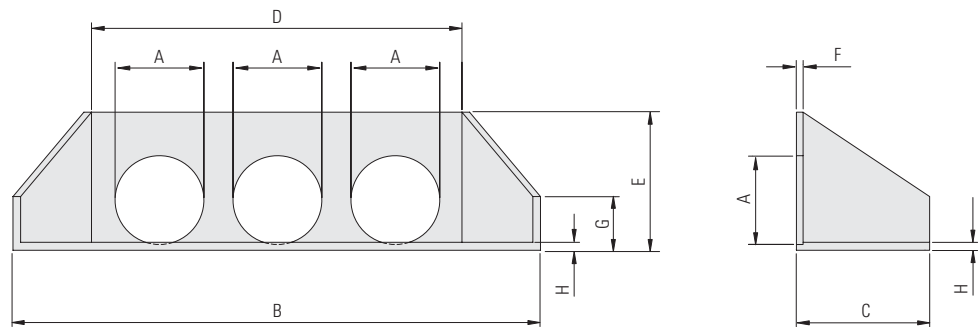
Triple-cell 1050mm diameter pipe headwall



Triple-cell, high bulkhead 1200mm diameter pipe headwall with 450mm diameter pipe in wing wall

### Triple-cell Pipe Headwalls

Product Code	Pipe Size	Type	Nominal Dimensions (mm)							
			A	B	C	D	E	F	G	H
HWC300JZ03	300	One Piece	378	2351	650	1775	840	90	467	90
HWC375JZ03	375	One Piece	460	2736	650	2160	840	90	467	90
HWC450JZ03	450	One Piece	545	3081	650	2505	840	90	467	90
HWC525JZ03	525	One Piece	630	3081	650	2505	840	90	467	90
HWC600JZ03	600	One Piece	710	3556	780	2890	1035	90	575	90
HWC675JZ03	675	One Piece	800	4309	1010	3485	1120	90	507	90
HWC750JZ03	750	One Piece	885	4309	1010	3485	1120	90	507	90
HWC825JZ03	825	One Piece	985	4309	1010	3485	1300	90	687	90
HWC900JZ03	900	One Piece	1060	4694	1010	3870	1300	90	687	90
HWC1050JZ03	1050	Two Piece	1215	6215	1620	4315	1520	120	520	120
HWC1200JZ03	1200	Two Piece	1385	6705	1620	4805	1670	120	670	120
HWC1350JZ03	1350	Two Piece	1545	7205	1620	5305	1900	120	900	120
HWC1500JZ03	1500	Two Piece	1710	7690	1620	5790	2065	120	1065	120
HWC1650JZ03	1650	Two Piece	1900	9230	2400	6320	2180	120	660	150
HWC1800JZ03	1800	Two Piece	2040	9690	2400	6780	2320	120	800	150
HWC1950JZ03	1950	Two Piece	2230	10220	2400	7310	2580	120	1060	150
HWC2100JZ03	2100	Two Piece	2355	10645	2400	7735	2705	120	1185	150
HWC2250JZ03	2250	Two Piece	2600	11370	2400	8460	2900	120	1380	150
HWC2400JZ03	2400	Two Piece	2680	11644	2400	8700	3000	150	1500	180
HWC2550JZ03	2550	Two Piece	2830	12721	3000	9084	3110	150	1210	180



Note: The above dimensions are approximate only and are based on a pipe spacing of 300mm (between the outside of the pipes). Other spacings are available. Contact Rocla for details.

## Headwalls

### RCBC Headwalls

When ordering small RCBC headwalls, nominate whether the box culvert is constructed from crown units or inverts and lids, as this affects the size of the opening ( $W \times h$ ).



Single cell box culvert headwall



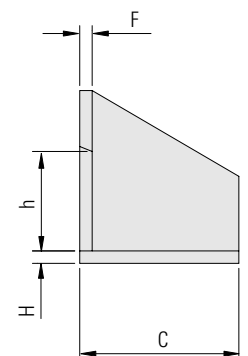
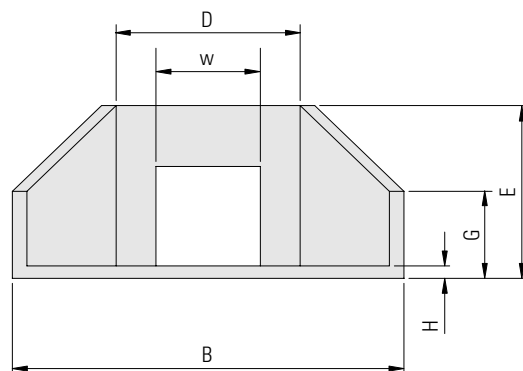
Multi-cell box culvert headwalls



Large multi-cell box culvert headwalls

### Small Box Culvert Headwalls

Product Code	RCBC Size	Nominal Dimensions (mm)						
		B	C	D	E	F	G	H
HWG030015B	300 x 150	1575	660	740	900	80	700	80
HWG037015B	375 x 150	1575	660	740	900	80	700	80
HWG037022B	375 x 225	1575	660	740	900	80	700	80
HWG045015B	450 x 150	1575	660	740	900	80	700	80
HWG045022B	450 x 225	1575	660	740	900	80	700	80
HWG045030B	450 x 300	1575	660	740	900	80	700	80
HWG060015B	600 x 150	1670	700	800	1040	90	780	100
HWG060022B	600 x 225	1670	700	800	1040	90	780	100
HWG060030B	600 x 300	1670	700	800	1040	90	780	100
HWG060045B	600 x 450	1670	700	800	1040	90	780	100
HWG075030B	750 x 300	1995	2020	1200	1410	90	1100	140
HWG075045B	750 x 450	1995	2020	1200	1410	90	1100	140
HWG075060B	750 x 600	1995	2020	1200	1410	90	1100	140
HWG090030B	900 x 300	2351	2020	1200	1410	90	1100	140
HWG090045B	900 x 450	2599	2020	1200	1410	90	1100	140
HWG090060B	900 x 600	2599	2020	1200	1410	90	1100	140
HWG090075B	900 x 750	2599	2020	1200	1410	90	1100	140
HWC120030B	1200 x 300	2351	650	1775	840	90	467	90
HWC120045B	1200 x 450	2599	1010	1775	1000	90	387	90
HWC120060B	1200 x 600	2599	1010	1775	1120	90	507	90
HWC120075B	1200 x 750	2599	1010	1775	1280	90	667	90
HWC120090B	1200 x 900	3915	1620	2015	1520	120	520	120



*Note: Opening ( $W \times h$ ) to specification.*

*Headwalls are also available to suit large-span and multi-cell box culverts. Contact Rocla for further details. Headwalls to suit box culverts up to 3000 x 2400mm ( $B \times D$ ) are generally supplied as a single piece. Headwalls with greater spans are supplied as multi-piece units.*

## VicRoads Headwalls

### Driveable Headwalls

Trafficable culvert headwalls are manufactured to VicRoads specifications in two sizes to accommodate pipes from 225mm to 600mm diameter.



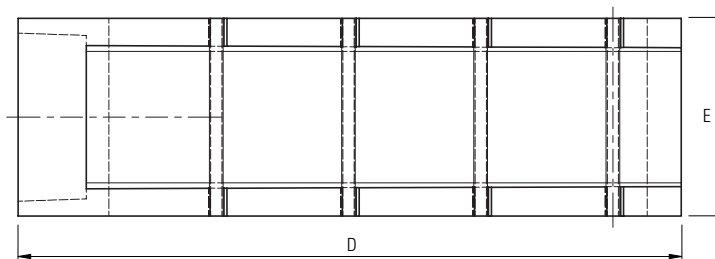
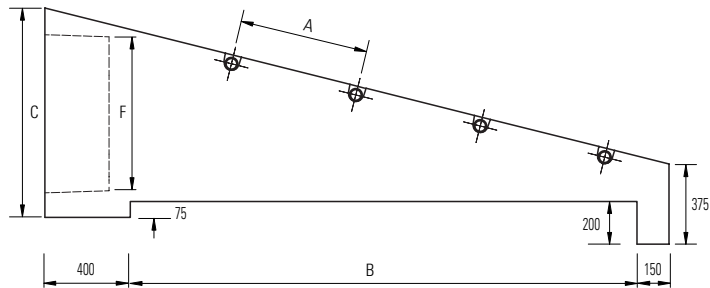
Driveable headwalls are provided with SwiftLift anchors at appropriate lifting points. Rails must not be used for lifting.

### Mass Concrete Endwalls

Rocla manufactures mass concrete pipe endwalls to VicRoads specifications and AS3600 to suit pipe culverts from 300mm to 900mm diameter.

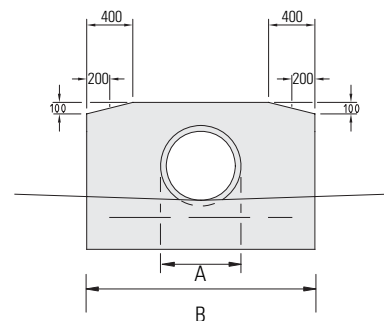
### VicRoads Driveable Headwalls

Product Code	Nom. Pipe Size	Nominal Dimensions (mm)					
		A	B	C	D	E	F
HWG225D	225	450	1370	730	1920	620	300
HWG300D	300	450	1370	730	1920	620	380
HWG375D	375	450	1370	730	1920	620	460
HWG450D	450	600	2370	980	2920	870	560
HWG525D	525	600	2370	980	2920	870	640
HWG600D	600	600	2370	980	2920	870	720

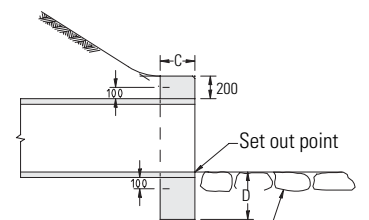


### Mass Concrete Endwalls

Product Code	Pipe Size	Dimensions (mm)			
		A	B	C	D
HWG300VE	300	385	1162	230	400
HWG375VE	375	455	1305	230	400
HWG450VE	450	545	1554	230	400
HWG525VE	525	630	1796	230	400
HWG600VE	600	720	1978	300	420
HWG675VE	675	785	2221	340	470
HWG750VE	750	905	2384	380	500
HWG825VE	825	950	2486	450	530
HWG900VE	900	1070	2589	540	560



End elevation



Side elevation