

Headwalls

Small Pipe Headwalls

Used primarily for drainage applications. Annulus between pipe and headwall should be grouted after installation. Product codes for small headwalls may vary between branches.



Partial Base



Full Base

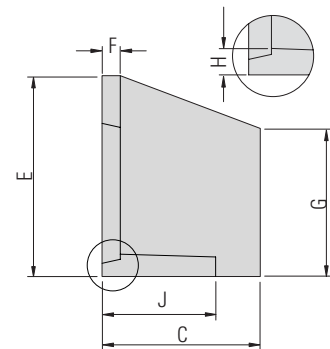
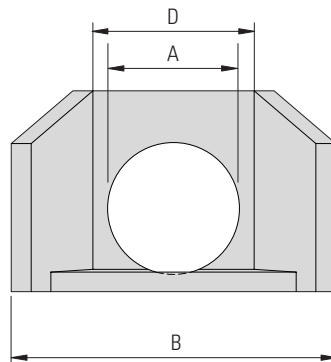
Project Drawings

Rocla is able to provide general arrangement details to suit site specific requirements showing headwall dimensions.

Contact Rocla for more information.

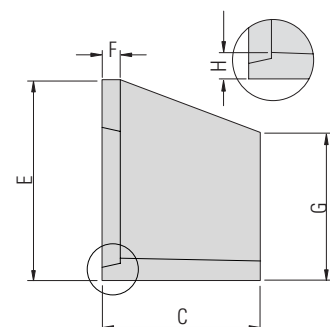
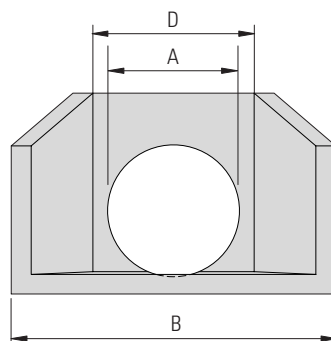
Small Pipe Headwalls - Partial Base

| Product Code | Pipe Size | Nominal Dimensions (mm) | | | | | | | | |
|--------------|-----------|-------------------------|------|-----|-----|-----|----|-----|----|-----|
| | | A | B | C | D | E | F | G | H | J |
| HWA225P | 225 | 325 | 1100 | 550 | 620 | 720 | 75 | 550 | 80 | 400 |
| HWA300P | 300 | 390 | 1100 | 550 | 620 | 720 | 75 | 550 | 80 | 400 |
| HWA375P | 375 | 485 | 1100 | 550 | 620 | 720 | 75 | 550 | 80 | 400 |



Small Pipe Headwalls - Full Base

| Product Code | Pipe Size | Nominal Dimensions (mm) | | | | | | | |
|--------------|-----------|-------------------------|------|------|------|------|----|------|-----|
| | | A | B | C | D | E | F | G | H |
| HWA225 | 225 | 325 | 1575 | 660 | 740 | 900 | 80 | 700 | 80 |
| HWA300 | 300 | 385 | 1575 | 660 | 740 | 900 | 80 | 700 | 80 |
| HWA375 | 375 | 470 | 1575 | 660 | 740 | 900 | 80 | 700 | 80 |
| HWA450 | 450 | 555 | 1575 | 660 | 740 | 900 | 80 | 700 | 80 |
| HWA525 | 525 | 640 | 1670 | 700 | 800 | 1040 | 90 | 780 | 100 |
| HWA600 | 600 | 725 | 1670 | 700 | 800 | 1040 | 90 | 780 | 100 |
| HWA675 | 675 | 805 | 2020 | 1010 | 1200 | 1410 | 90 | 1100 | 140 |
| HWA750 | 750 | 925 | 2020 | 1010 | 1200 | 1410 | 90 | 1100 | 140 |
| HWA825 | 825 | 970 | 2020 | 1010 | 1200 | 1410 | 90 | 1100 | 140 |
| HWA900 | 900 | 1090 | 2020 | 1010 | 1200 | 1410 | 90 | 1100 | 140 |



Headwalls

Large Pipe Headwalls

Used for drainage and irrigation applications. May need to grout annulus between pipe and headwall.



Note: Large headwalls require appropriate slope stability checks.

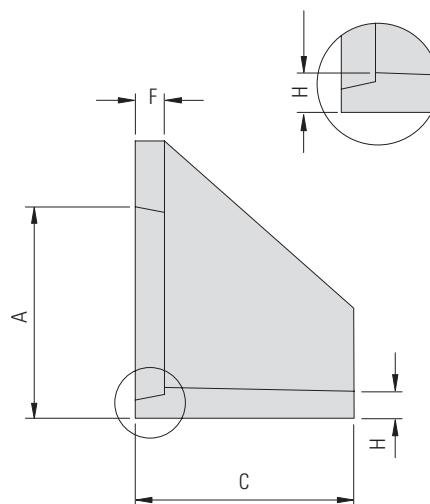
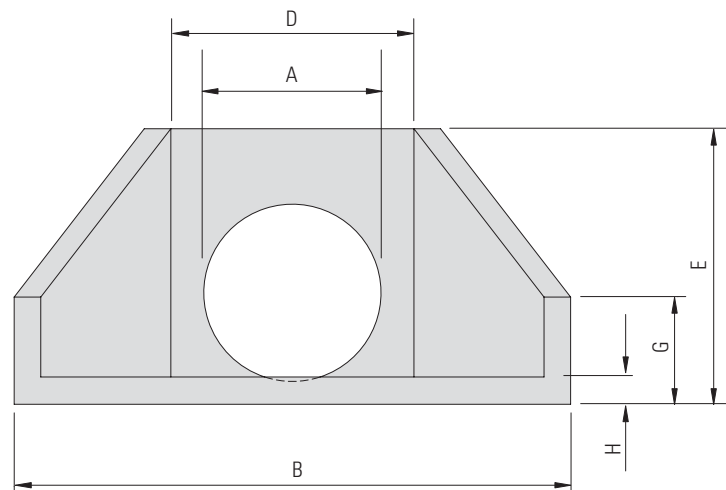
Project Drawings

Rocla can provide general arrangement details for all headwalls, including small, large, multi-cell and box culvert headwalls, with all dimensions, to suit site-specific requirements.

Contact Rocla for more information.

Large Pipe Headwalls

| Product Code | Pipe Size | Nominal Dimensions (mm) | | | | | | | |
|--------------|-----------|-------------------------|------|------|------|------|-----|------|-----|
| | | A | B | C | D | E | F | G | H |
| HWC1050JV | 1050 | 1215 | 3415 | 1620 | 1515 | 1520 | 120 | 520 | 120 |
| HWC1200JV | 1200 | 1385 | 3415 | 1620 | 1515 | 1670 | 120 | 670 | 120 |
| HWC1350JV | 1350 | 1545 | 3915 | 1620 | 2015 | 1900 | 120 | 900 | 120 |
| HWC1500JV | 1500 | 1710 | 3915 | 1620 | 2015 | 2065 | 120 | 1065 | 120 |
| HWC1650JV | 1650 | 1900 | 5010 | 2400 | 2100 | 2180 | 120 | 660 | 150 |
| HWC1800JV | 1800 | 2040 | 5010 | 2400 | 2100 | 2320 | 120 | 800 | 150 |
| HWC1950JV | 1950 | 2230 | 5310 | 2400 | 2400 | 2580 | 120 | 1060 | 150 |
| HWC2100JV | 2100 | 2355 | 5310 | 2400 | 2400 | 2705 | 120 | 1185 | 150 |
| HWC2250JV | 2250 | 2600 | 5610 | 2400 | 2700 | 2900 | 120 | 1380 | 150 |
| HWC2400JV | 2400 | 2680 | 5644 | 2400 | 2700 | 3000 | 150 | 1500 | 180 |
| HWC2550JV | 2550 | 2830 | 6537 | 3000 | 3000 | 3110 | 150 | 1210 | 180 |



Headwalls

Multi-cell Pipe Headwalls

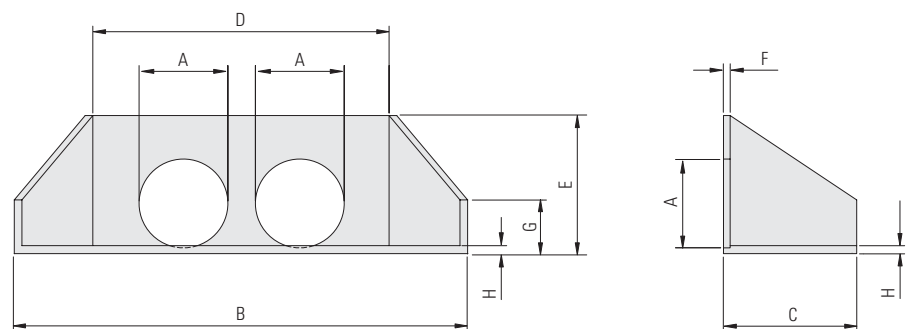
Rocla manufactures multi-cell headwalls in a range of standard sizes, as well as customised versions to suit individual site requirements.

Multi-cell headwalls can be supplied in sections to aid handling on site. Refer to Rocla for details of jointing multi-cell headwalls.



Twin-cell Pipe Headwalls

| Pipe Size | Type | Nominal Dimensions (mm) | | | | | | | |
|-----------|-----------|-------------------------|------|------|------|------|-----|------|-----|
| | | A | B | C | D | E | F | G | H |
| 300 | One Piece | 378 | 1756 | 650 | 1180 | 840 | 90 | 467 | 90 |
| 375 | One Piece | 460 | 2351 | 650 | 1775 | 840 | 90 | 467 | 90 |
| 450 | One Piece | 545 | 2351 | 650 | 1775 | 840 | 90 | 467 | 90 |
| 525 | One Piece | 630 | 2351 | 650 | 1775 | 840 | 90 | 467 | 90 |
| 600 | One Piece | 710 | 2826 | 780 | 2160 | 1035 | 90 | 575 | 90 |
| 675 | One Piece | 800 | 2984 | 1010 | 2160 | 1120 | 90 | 507 | 90 |
| 750 | One Piece | 885 | 2984 | 1010 | 2160 | 1120 | 90 | 507 | 90 |
| 825 | One Piece | 985 | 3329 | 1010 | 2505 | 1300 | 90 | 687 | 90 |
| 900 | One Piece | 1060 | 3329 | 1010 | 2505 | 1300 | 90 | 687 | 90 |
| 1050 | One Piece | 1215 | 4715 | 1620 | 2815 | 1520 | 120 | 520 | 120 |
| 1200 | One Piece | 1385 | 5215 | 1620 | 3315 | 1670 | 120 | 670 | 120 |
| 1350 | One Piece | 1545 | 5415 | 1620 | 3515 | 1900 | 120 | 900 | 120 |
| 1500 | One Piece | 1710 | 5915 | 1620 | 4015 | 2065 | 120 | 1065 | 120 |
| 1650 | Two Piece | 1900 | 7070 | 2400 | 4160 | 2180 | 120 | 660 | 150 |
| 1800 | Two Piece | 2040 | 7370 | 2400 | 4460 | 2320 | 120 | 800 | 150 |
| 1950 | Two Piece | 2230 | 7730 | 2400 | 4820 | 2580 | 120 | 1060 | 150 |
| 2100 | Two Piece | 2355 | 8005 | 2400 | 5095 | 2705 | 120 | 1185 | 150 |
| 2250 | Two Piece | 2600 | 8490 | 2400 | 5580 | 2900 | 120 | 1380 | 150 |
| 2400 | Two Piece | 2680 | 8684 | 2400 | 5740 | 3000 | 150 | 1500 | 180 |
| 2550 | Two Piece | 2830 | 9644 | 3000 | 6007 | 3110 | 150 | 1210 | 180 |



Note: The above dimensions are approximate only and are based on a pipe spacing of 300mm (between the outside of the pipes). Other spacings are available. Contact Rocla for details.

Multi-piece Headwalls

Units supplied in more than one piece are connected using a staple joint. Reinforcing staples are supplied with each headwall.

Headwalls

Multi-cell Pipe Headwalls

Multi-cell pipe headwalls can be supplied with virtually any number of cells.



25-cell 750mm diameter pipe headwalls under rail line



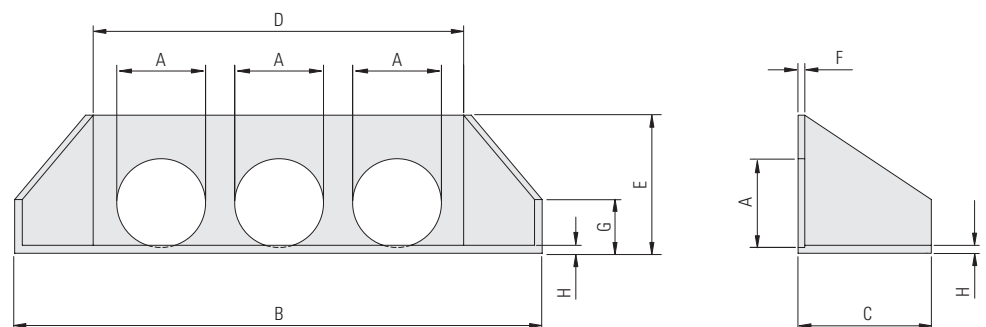
Triple-cell 1050mm diameter pipe headwall



Triple-cell, high bulkhead 1200mm diameter pipe headwall with 450mm diameter pipe in wing wall

Triple-cell Pipe Headwalls

| Pipe Size | Type | Nominal Dimensions (mm) | | | | | | | |
|-----------|-----------|-------------------------|-------|------|------|------|-----|------|-----|
| | | A | B | C | D | E | F | G | H |
| 300 | One Piece | 378 | 2351 | 650 | 1775 | 840 | 90 | 467 | 90 |
| 375 | One Piece | 460 | 2736 | 650 | 2160 | 840 | 90 | 467 | 90 |
| 450 | One Piece | 545 | 3081 | 650 | 2505 | 840 | 90 | 467 | 90 |
| 525 | One Piece | 630 | 3081 | 650 | 2505 | 840 | 90 | 467 | 90 |
| 600 | One Piece | 710 | 3556 | 780 | 2890 | 1035 | 90 | 575 | 90 |
| 675 | One Piece | 800 | 4309 | 1010 | 3485 | 1120 | 90 | 507 | 90 |
| 750 | One Piece | 885 | 4309 | 1010 | 3485 | 1120 | 90 | 507 | 90 |
| 825 | One Piece | 985 | 4309 | 1010 | 3485 | 1300 | 90 | 687 | 90 |
| 900 | One Piece | 1060 | 4694 | 1010 | 3870 | 1300 | 90 | 687 | 90 |
| 1050 | Two Piece | 1215 | 6215 | 1620 | 4315 | 1520 | 120 | 520 | 120 |
| 1200 | Two Piece | 1385 | 6705 | 1620 | 4805 | 1670 | 120 | 670 | 120 |
| 1350 | Two Piece | 1545 | 7205 | 1620 | 5305 | 1900 | 120 | 900 | 120 |
| 1500 | Two Piece | 1710 | 7690 | 1620 | 5790 | 2065 | 120 | 1065 | 120 |
| 1650 | Two Piece | 1900 | 9230 | 2400 | 6320 | 2180 | 120 | 660 | 150 |
| 1800 | Two Piece | 2040 | 9690 | 2400 | 6780 | 2320 | 120 | 800 | 150 |
| 1950 | Two Piece | 2230 | 10220 | 2400 | 7310 | 2580 | 120 | 1060 | 150 |
| 2100 | Two Piece | 2355 | 10645 | 2400 | 7735 | 2705 | 120 | 1185 | 150 |
| 2250 | Two Piece | 2600 | 11370 | 2400 | 8460 | 2900 | 120 | 1380 | 150 |
| 2400 | Two Piece | 2680 | 11644 | 2400 | 8700 | 3000 | 150 | 1500 | 180 |
| 2550 | Two Piece | 2830 | 12721 | 3000 | 9084 | 3110 | 150 | 1210 | 180 |



Note: The above dimensions are approximate only and are based on a pipe spacing of 300mm (between the outside of the pipes). Other spacings are available. Contact Rocla for details.

Headwalls

RCBC Headwalls

Rocla manufactures headwalls to suit most RCBC sizes and configurations from 300mm span up to 3600mm span, including unlimited multiple spans. A range of standard small span RCBC headwalls is also available, as shown in the table.



Single cell box culvert headwall



Multi-cell box culvert headwalls

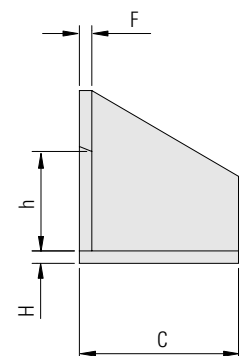
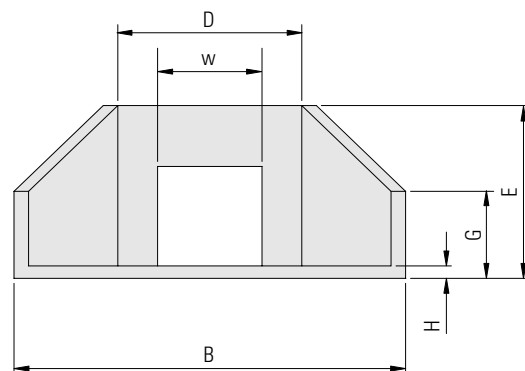


Large multi-cell box culvert headwalls

When using Rocla® RCBC headwalls, the base slab may need to be shortened to allow the precast wingwalls to slide past the side of the box culvert legs, rather than butt up to them. Contact Rocla for more information.

Small Box Culvert Headwalls

| Product Code | RCBC Size | Nominal Dimensions (mm) | | | | | | |
|--------------|------------|-------------------------|------|------|------|-----|------|-----|
| | | B | C | D | E | F | G | H |
| HWC030015B | 300 x 150 | 1575 | 660 | 740 | 900 | 80 | 700 | 80 |
| HWC037015B | 375 x 150 | 1575 | 660 | 740 | 900 | 80 | 700 | 80 |
| HWC037022B | 375 x 225 | 1575 | 660 | 740 | 900 | 80 | 700 | 80 |
| HWC045015B | 450 x 150 | 1575 | 660 | 740 | 900 | 80 | 700 | 80 |
| HWC045022B | 450 x 225 | 1575 | 660 | 740 | 900 | 80 | 700 | 80 |
| HWC045030B | 450 x 300 | 1575 | 660 | 740 | 900 | 80 | 700 | 80 |
| HWC060015B | 600 x 150 | 1670 | 700 | 800 | 1040 | 90 | 780 | 100 |
| HWC060022B | 600 x 225 | 1670 | 700 | 800 | 1040 | 90 | 780 | 100 |
| HWC060030B | 600 x 300 | 1670 | 700 | 800 | 1040 | 90 | 780 | 100 |
| HWC060045B | 600 x 450 | 1670 | 700 | 800 | 1040 | 90 | 780 | 100 |
| HWC075030B | 750 x 300 | 1995 | 2020 | 1200 | 1410 | 90 | 1100 | 140 |
| HWC075045B | 750 x 450 | 1995 | 2020 | 1200 | 1410 | 90 | 1100 | 140 |
| HWC075060B | 750 x 600 | 1995 | 2020 | 1200 | 1410 | 90 | 1100 | 140 |
| HWC090030B | 900 x 300 | 2351 | 2020 | 1200 | 1410 | 90 | 1100 | 140 |
| HWC090045B | 900 x 450 | 2599 | 2020 | 1200 | 1410 | 90 | 1100 | 140 |
| HWC090060B | 900 x 600 | 2599 | 2020 | 1200 | 1410 | 90 | 1100 | 140 |
| HWC090075B | 900 x 750 | 2599 | 2020 | 1200 | 1410 | 90 | 1100 | 140 |
| HWC120030B | 1200 x 300 | 2351 | 650 | 1775 | 840 | 90 | 467 | 90 |
| HWC120045B | 1200 x 450 | 2599 | 1010 | 1775 | 1000 | 90 | 387 | 90 |
| HWC120060B | 1200 x 600 | 2599 | 1010 | 1775 | 1120 | 90 | 507 | 90 |
| HWC120075B | 1200 x 750 | 2599 | 1010 | 1775 | 1280 | 90 | 667 | 90 |
| HWC120090B | 1200 x 900 | 3915 | 1620 | 2015 | 1520 | 120 | 520 | 120 |



Note: Opening (W x h) to specification.

Large Box Culvert Headwalls

Rocla manufactures large box culvert headwalls for any culvert span up to a culvert height of 2400mm. Customised drawings are produced for each structure. Contact Rocla for details.

Headwalls

Driveable Headwalls

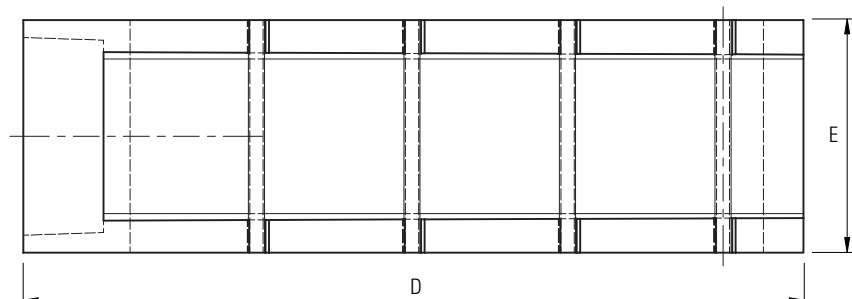
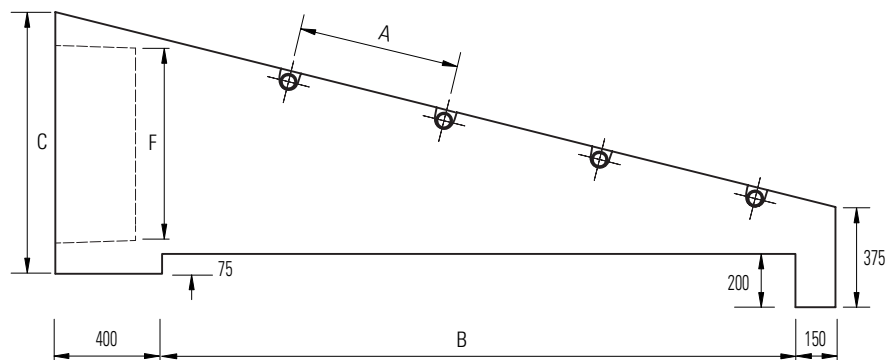
Trafficable headwalls are designed to reduce the likelihood of an accident arising from driving over the headwall at speed. The driveable headwalls are designed for flat batters on culverts next to the roadway. They are available in two sizes to accommodate pipes from 225mm to 600mm diameter.



Driveable headwalls are provided with SwiftLift anchors at appropriate lifting points. Rails must not be used for lifting.

Driveable Headwalls

| Product Code | Nom. Pipe Size | Nominal Dimensions (mm) | | | | | |
|--------------|----------------|-------------------------|------|-----|------|-----|-----|
| | | A | B | C | D | E | F |
| HWG225D | 225 | 450 | 1370 | 730 | 1920 | 620 | 300 |
| HWG300D | 300 | 450 | 1370 | 730 | 1920 | 620 | 380 |
| HWG375D | 375 | 450 | 1370 | 730 | 1920 | 620 | 460 |
| HWG450D | 450 | 600 | 2370 | 980 | 2920 | 870 | 560 |
| HWG525D | 525 | 600 | 2370 | 980 | 2920 | 870 | 640 |
| HWG600D | 600 | 600 | 2370 | 980 | 2920 | 870 | 720 |



Headwalls are also available to suit large-span and multi-cell box culverts. Contact Rocla for further details. Headwalls to suit box culverts up to 3000 x 2400mm (B x D) are generally supplied as a single piece. Headwalls with greater spans are supplied as multi-piece units.

Headwalls

Sloped Headwalls

Sloping face headwalls are designed to reduce the likelihood of an accident arising from driving over the headwall at speed. They are designed for steeper batters and are available to suit pipes from 300mm to 600mm diameter.



Sloping face headwall

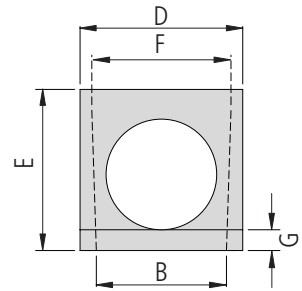
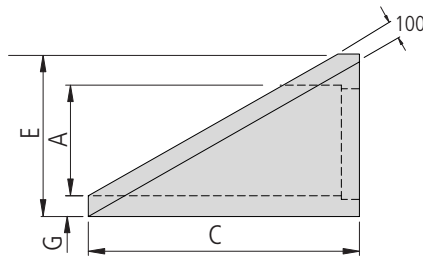


Low-profile sloping face headwall

Sloping Face Headwalls

| Product Code | Pipe Size | Nominal Dimensions (mm) | | | | | | |
|--------------|-----------|-------------------------|-----|------|-------------|-----|-----|-----|
| | | A | B | C | D | E | F | G |
| HWL300AH | 300 | 457 | 650 | 1250 | 840 | 820 | 700 | 125 |
| HWL375AH | 375 | 457 | 650 | 1250 | 840 | 820 | 700 | 125 |
| HWL450AH | 450 | 457 | 650 | 1250 | 840 <td 820 | 700 | 125 | |
| HWL525AH | 525 | 612 | 800 | 1500 | 900 | 920 | 850 | 115 |
| HWL600AH | 600 | 612 | 800 | 1500 | 900 | 920 | 850 | 115 |

Note: Flat section at top of sloping face headwalls is 55mm wide on 300 to 450 sizes and 85mm wide on larger sizes.



Low-profile Sloping Face Headwalls

| Product Code | Pipe Size | Nominal Dimensions (mm) | | | | | | |
|--------------|-----------|-------------------------|-----|------|-----|-----|-----|-----|
| | | A | B | C | D | E | F | G |
| HWL300APH | 300 | 457 | 650 | 1250 | 840 | 725 | 700 | 125 |
| HWL375APH | 375 | 457 | 650 | 1250 | 840 | 725 | 700 | 125 |
| HWL450APH | 450 | 457 | 650 | 1250 | 840 | 725 | 700 | 125 |
| HWL525APH | 525 | 612 | 800 | 1500 | 900 | 830 | 850 | 115 |
| HWL600APH | 600 | 612 | 800 | 1500 | 900 | 830 | 850 | 115 |

Note: Flat section at top of low-profile sloping face headwalls is 200mm wide on 300 to 450 sizes and 220mm wide on larger sizes

