



# Precast Headwalls Pipe & Box Culverts



## STORMWATER

# Rocla® Pipe and Box Culvert Headwalls



Rocla manufactures a wide range of standard and custom precast headwalls to meet the needs of civil construction contractors, authorities and irrigators.

A variety of standard designs and a choice of one piece headwalls or segmented components provide versatile, modular solutions that can be adapted to individual requirements such as site conditions and lifting constraints.

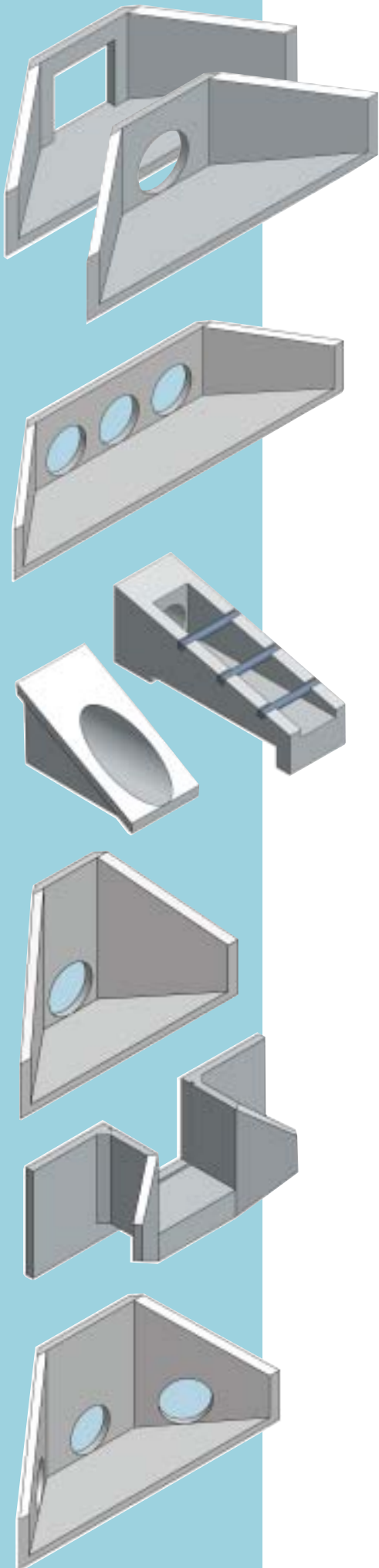


Rocla can also design special structures for unusual construction loads or other requirements.



Most Rocla® precast headwalls can be installed easily and quickly by a normal pipe laying crew using standard equipment, enabling backfilling to be completed on the same day.

**Proven strength, durability and fast installation**



## Single-Piece Headwalls

Rocla® single-piece headwalls are available to suit pipe diameters from 225mm to 2550mm diameter and box culvert sizes from 300 x 150mm to 3000 x 2400mm. Flexibility during manufacture allows particular lifting and site requirements to be met.

## Multi-Cell Headwalls

Rocla manufactures multi-cell headwalls for pipes or box culverts in a range of standard sizes, as well as customised versions to suit individual site requirements. Multi-Cell Headwalls can be supplied in sections to aid handling on site.

## Sloped Headwalls

Various sloped headwalls are available to suit local government and road authority requirements. Contact your local sales office for the full range of products available in your area.

## Irrigation Headwalls

Rocla® irrigation headwalls are a versatile, modular solution for applications requiring higher bulkheads, such as high embankments and road channels. The standard range of configurations can be adapted to suit single and multi-cell applications for pipelines up to 1950mm diameter. Erosion control panels and an earth anchor system are also available, providing flexibility in design. The modular components bolt together, reducing construction time compared with in situ construction and permitting the structures to be relocated.

## Other Irrigation Structures

A range of specialist headwall structures is available for irrigation applications, such as V-stops, L-stops and drop boxes. These durable structures can regulate water flows from irrigation channels while providing excellent erosion control for bankless channels, reducing ongoing maintenance. Slides or boards can be incorporated for dual control purposes. Contact your local sales office for further details.

## Special Headwalls

Rocla can also manufacture headwalls to cater for special lifting requirements and site conditions, such as custom headwalls to facilitate irregular pipe entry.



# Precast Headwalls Pipe & Box Culverts

For further information on Rocla® concrete box culverts, headwalls, wing walls or other precast solutions

Call Rocla on  
**131 004**

For an information kit email  
**solutions@rocla.com.au**

Or visit our website  
**www.rocla.com.au**

- Sydney
- Dapto
- Dubbo
- Newcastle
- Glen Innes
- Grafton
- Canberra
- Melbourne
- Avoca
- Traralgon
- Wodonga
- Brisbane
- Toowoomba
- Mackay
- Cairns
- Adelaide
- Perth



Rocla Pty Limited  
ABN 31 000 032 191  
A member of the Fletcher Building Group  
® Trade mark of Rocla Pty Limited  
© Rocla Pty Limited May 2007

The content of this brochure is protected by copyright and may not be reproduced in any form without the prior written consent of Rocla Pty Limited. The information in this brochure is as far as possible accurate at the date of publication, however, before application in any situation, Rocla recommends that you obtain qualified expert advice confirming the suitability of product(s) and information in question for the application proposed. While Rocla accepts its legal obligations, be aware however that to the extent permitted by law, Rocla disclaims all liability (including liability for negligence) for all loss and damage resulting from the use of the information provided in this brochure.