

Floodgates

Rocla® Floodgates

Rocla® Floodgates are non-return reflux valves designed to control backflow from tidal and surcharge flooding.

The gates are accurately moulded from fibreglass-reinforced polyester and supplied with stainless steel hinge and replaceable neoprene sealing ring.

The balanced gate closes positively with no outside pressure, sealing against backflow, and opens with an inside head of only a few centimetres.

Floodgates are available to suit pipe sizes ranging from 100mm to 1800mm. They can be either pipe mounted, ring mounted or flush mounted.

Contact Rocla for further information



Ring Mount Floodgate

Box Culverts Floodgates

Bolt-on or flush mount floodgates to suit box culverts are available on request.

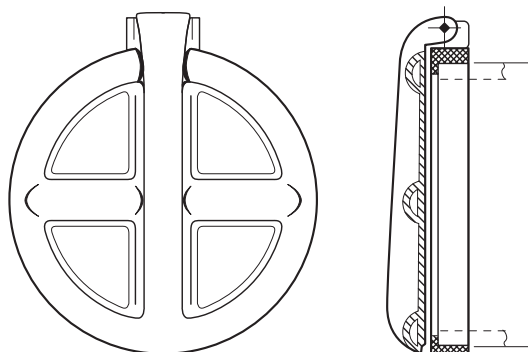


Box Culvert Floodgates

Floodgates – Mounting options

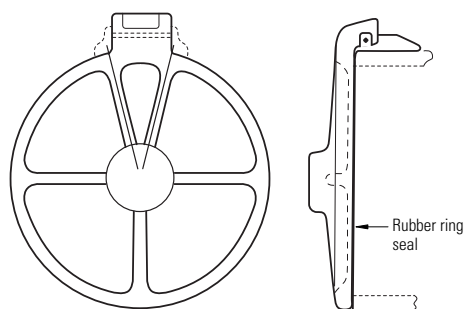
Mounting Ring

The mounting ring is a sleeve that fits over the end of the pipe and is attached by epoxy adhesive. Available for all pipe sizes.



Pipe Mount

Available only for larger pipes from 1050 to 1800mm diameter. Pipe must be drilled and bolts used to fix the mount to the pipe spigot.



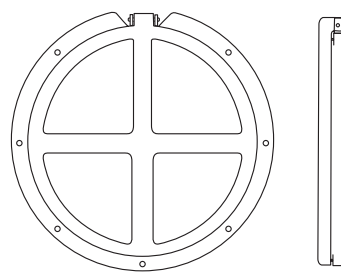
Note:

The pipe should be clear of the headwall base to ensure proper positioning of the floodgate.

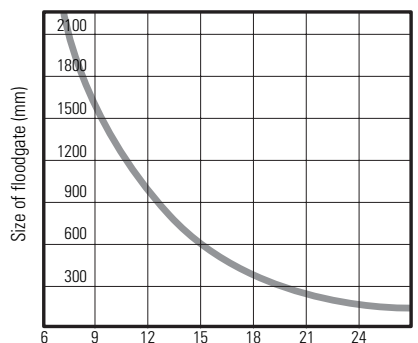
Contact Rocla for further information.

Wall Mount

The wall mount or headwall mount floodgate is fixed to a vertical wall, such as a headwall or pit structure. Available for all pipe and box culvert sizes.

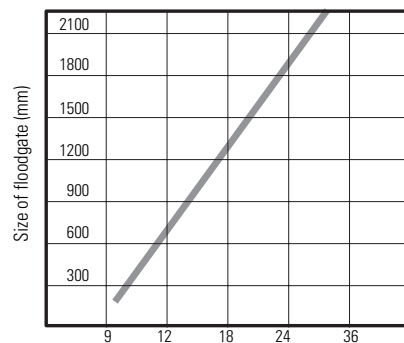


External Head



Allowable external head above centre of floodgate (m)

Head Loss



Head loss expressed as equivalent length of straight pipe (m)