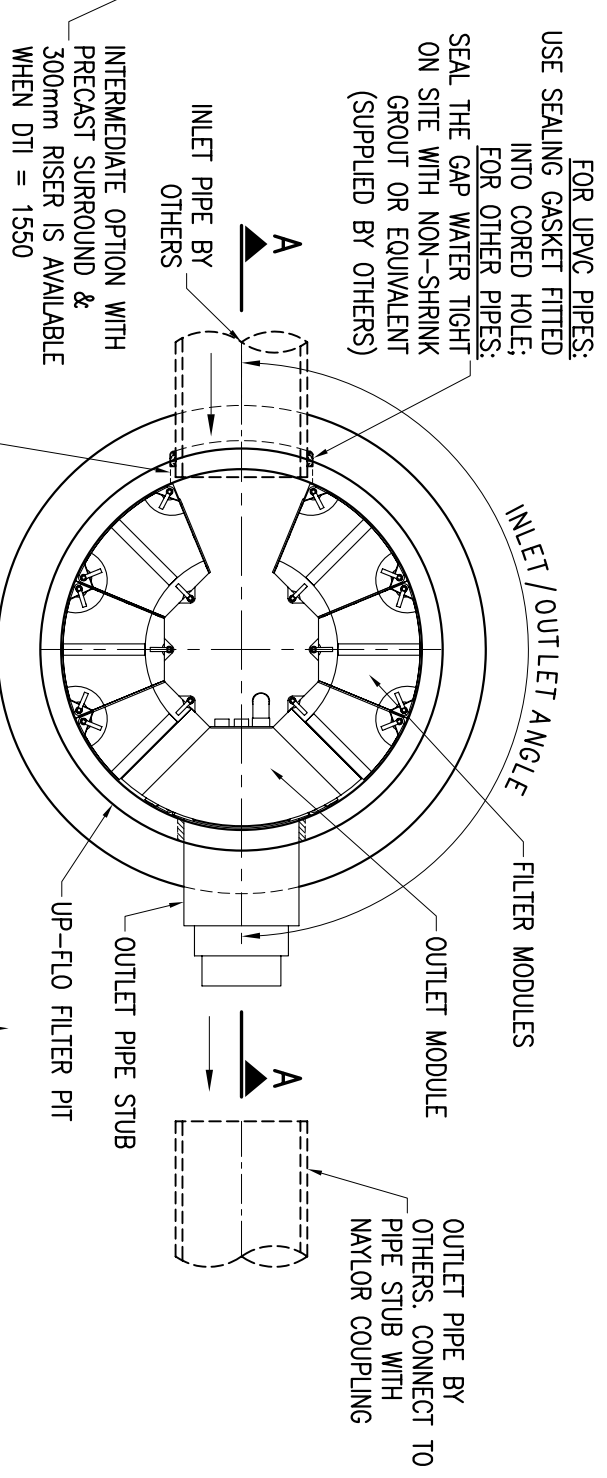


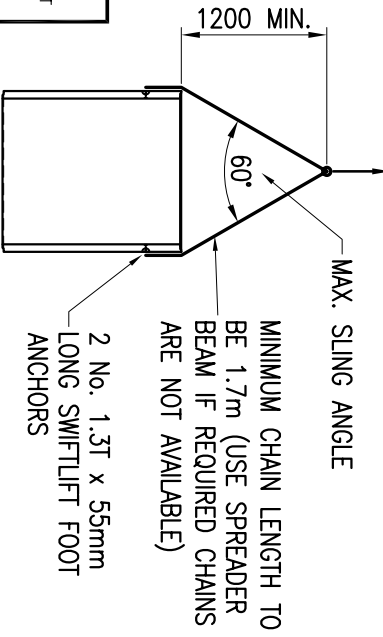
MANDATORY SELECTION FIELDS
(ENSURE ALL SELECTIONS ARE COMPLETE FOR MANUFACTURE)

| SELECTION 1 | | SELECTION 2 | | SELECTION 3 | | SELECTION 4 | | SELECTION 5 | |
|-----------------|------------------|---------------------|----------------------|----------------------|------------------------|-------------|-------|-----------------------|--|
| INLET PIPE DIA. | OUTLET PIPE DIA. | PIPE MATERIAL INLET | PIPE MATERIAL OUTLET | INLET / OUTLET ANGLE | COVER TYPE | SOLID TOP | GRATE | No. OF FILTER MODULES | |
| Ø150 | Ø150 | SRCP | SRCP | 90° | (CIRCLE REQUIRED TYPE) | | | | |
| Ø225 | Ø225 | UPVC | UPVC | 135° | (CIRCLE REQUIRED TYPE) | | | | |
| Ø300 | Ø300 | | | 180° | (CIRCLE REQUIRED TYPE) | | | | |
| Ø375 | Ø375 | | | 225° | (CIRCLE REQUIRED TYPE) | | | | |
| Ø375 | Ø375 | | | 270° | (CIRCLE REQUIRED TYPE) | | | | |



DRAWING APPROVAL
I/WE HAVE REVIEWED ALL DRAWINGS AND ARE SATISFIED THAT ALL INFORMATION SHOWN IS CORRECT

NAME OF PERSON AUTHORISED BY CUSTOMER _____ SIGNATURE _____ DATE ____/____/____



| APPROX. COMPONENTS | MASSSES (kg) |
|---|--------------|
| BOTTOM UNIT (INCLUDING BASE) | 1520 |
| MAIN CHAMBER (INCL. INTERNAL COMPONENTS) | 1470 |
| INTERNAL COMPONENTS (MAX. 6 FILTER MODULES) | 410 |
| PRECAST CONVERSION SLAB | 500 |

- NOTES:**
1. MAIN CHAMBER SHALL BE LIFTED SEPARATELY FROM CONVERSION SLAB & COVER DURING HANDLING AND INSTALLATION.
 2. OPTION WITH 6 FILTER MODULES AND 180° BETWEEN INLET & OUTLET IS SHOWN. REFER TO DWG. D210340 FOR OTHER OPTIONS.
 3. JOINTS BETWEEN PIPE SECTIONS SHALL BE SEALED WITH MASTIC.
 4. REFER TO DWG. D208954 FOR STANDARD UP-FLO FILTER PIT MANUFACTURING DETAILS.
 5. REFER TO DWG. D209136 FOR UPVC PIPES CONNECTION DETAILS & DWG. D209227 FOR SRCP PIPES CONNECTION DETAILS.
 6. MASS OF MAIN CHAMBER WITHOUT INLET/OUTLET HOLES.
 7. DRAWING IS APPROVED FOR MANUFACTURE WHEN CLIENT HAS SIGNED DRAWING.
 8. ACCESS AND MAINTENANCE SHOULD BE IN ACCORDANCE WITH 'UP-FLO OPERATION & MAINTENANCE MANUAL'.

| REV | DRN | CKD | DESCRIPTION | DATE |
|-----|-----|-----|----------------|---------|
| A | SAN | PJC | ORIGINAL ISSUE | 24.9.09 |
| | | | | |
| | | | | |

CONFIDENTIAL
(NOT TO BE DISCLOSED TO ANY OTHER PERSON WITHOUT PERMISSION FROM ROCLA PTY LIMITED. UNAUTHORISED DISCLOSURE MAY RESULT IN PROSECUTION)

Rocla
Pipeline Products

UP-FLO FILTER PIT
GENERAL ARRANGEMENT
INSITU SURROUND WITHOUT RISER

| | |
|---------|--------------|
| APP PJC | DATE 24.9.09 |
| CKD SAN | DATE 24.9.09 |
| DES SAN | DATE |
| DRN SAN | DATE 18.9.09 |
| REF | AUSTRALIA |
| JOB No. | 09031701 |
| SCALE | DO NOT SCALE |
| D | 210508 |