

HEAVY DUTY  $\phi 1200$  SURROUND WITH  $\phi 600$  CAST-IN FRAME & COVER (CIRCLE COVER TYPE IN TABLE BELOW)

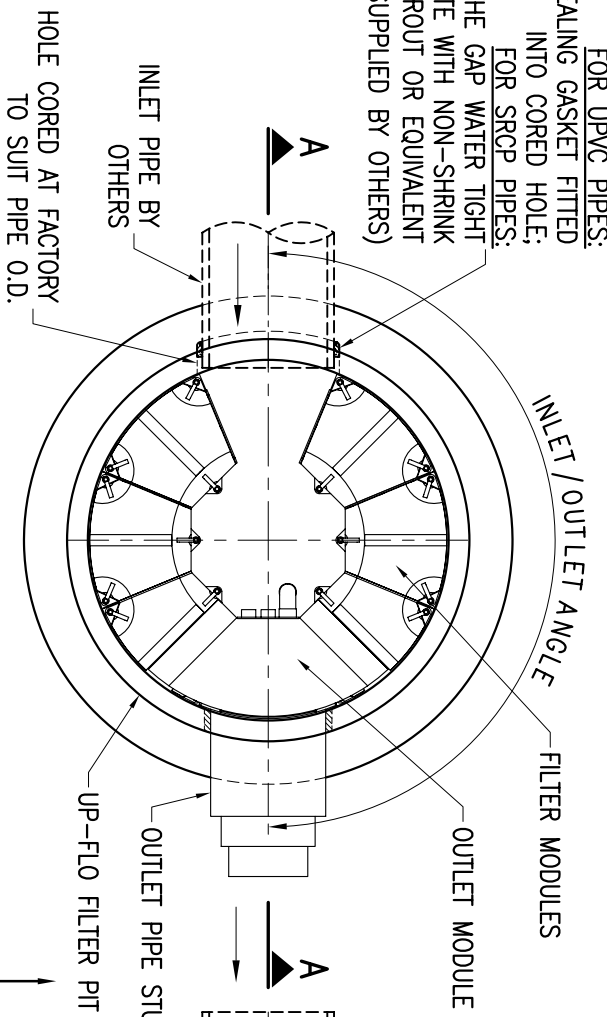
3 No. 1.3T x 120mm LONG SWIFTLIFT FOOT ANCHORS FOR LIFTING BOTTOM UNIT & CAST-IN BASE

**SECTION A-A**

**MANDATORY SELECTION FIELDS**  
(ENSURE ALL SELECTIONS ARE COMPLETE FOR MANUFACTURE)

SELECTION 1		SELECTION 2		SELECTION 3		SELECTION 4		SELECTION 5	
INLET PIPE DIA.	OUTLET PIPE DIA.	PIPE MATERIAL INLET	PIPE MATERIAL OUTLET	INLET / OUTLET ANGLE	COVER TYPE SOLID TOP	COVER TYPE GRATE	No. OF FILTER MODULES		
$\phi 150$	$\phi 150$	SRCP	SRCP	90°	(CIRCLE REQUIRED TYPE)				
$\phi 225$	$\phi 225$	UPVC	UPVC	135°	(CIRCLE REQUIRED TYPE)				
$\phi 300$	$\phi 300$			180°					
$\phi 375$	$\phi 375$			225°					
(CIRCLE REQUIRED DIA.)		(CIRCLE REQUIRED TYPE)		(CIRCLE REQUIRED ANGLE)		(SEE NOTE 2)			

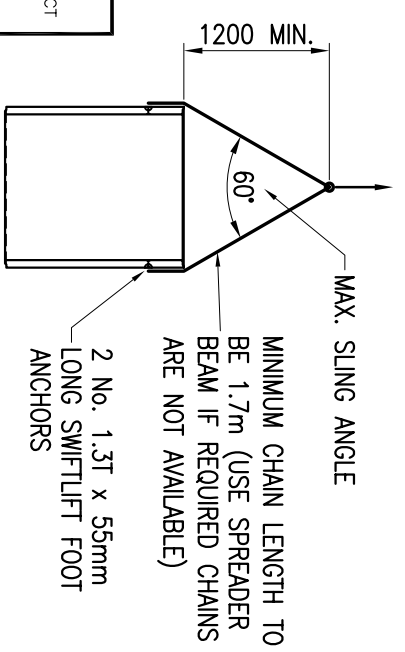
**FOR UPVC PIPES:**  
USE SEALING GASKET FITTED INTO CORED HOLE: FOR SRCP PIPES: SEAL THE GAP WATER TIGHT ON SITE WITH NON-SHRINK GROUT OR EQUIVALENT (SUPPLIED BY OTHERS)



OUTLET PIPE BY OTHERS. CONNECT TO PIPE STUB WITH NAYLOR COUPLING

**DRAWING APPROVAL**  
I/WE HAVE REVIEWED ALL DRAWINGS AND ARE SATISFIED THAT ALL INFORMATION SHOWN IS CORRECT

NAME OF PERSON AUTHORISED BY CUSTOMER \_\_\_\_\_ SIGNATURE \_\_\_\_\_ DATE \_\_\_\_\_



**LIFTING ARRANGEMENT FOR MAIN CHAMBER**

**APPROX. COMPONENTS MASSES (kg)**

BOTTOM UNIT (INCLUDING BASE)	1520
MAIN CHAMBER (INCL. INTERNAL COMPONENTS)	1470
INTERNAL COMPONENTS (MAX. 6 FILTER MODULES)	410
PRECAST SURROUND (WITH CAST-IN FRAME)	500

- NOTES:**
1. MAIN CHAMBER SHALL BE LIFTED SEPARATELY FROM SURROUND & COVER DURING HANDLING AND INSTALLATION.
  2. OPTION WITH 6 FILTER MODULES AND 180° BETWEEN INLET & OUTLET IS SHOWN. REFER TO DWG. D210340 FOR OTHER OPTIONS.
  3. JOINTS BETWEEN PIPE SECTIONS SHALL BE SEALED WITH MASTIC.
  4. REFER TO DWG. D208954 FOR STANDARD UP-FLO FILTER PIT MANUFACTURING DETAILS.
  5. REFER TO DWG. D209136 FOR UPVC PIPES CONNECTION DETAILS & DWG. D209227 FOR SRCP PIPES CONNECTION DETAILS.
  6. MASS OF MAIN CHAMBER WITHOUT INLET/OUTLET HOLES.
  7. DRAWING IS APPROVED FOR MANUFACTURE WHEN CLIENT HAS SIGNED DRAWING.
  8. ACCESS AND MAINTENANCE SHOULD BE IN ACCORDANCE WITH 'UP-FLO OPERATION & MAINTENANCE MANUAL'.

REV	DRN	CKD	DESCRIPTION	DATE
D	SAN	PJC	ADD SRCP PIPES. REMOVE STEP IRONS. REVISE SEALANT TYPE	24.9.09
C	SAN	PJC	REVISE TO TWO PIECE SAS SHAFT. ADD SELECTION 3 & 4	9.9.09
B	SAN	PJC	REVISE TO UPVC PIPES ONLY. INCLUDE $\phi 150$ OUTLET PIPE	14.4.09
A	SAN	PJC	ORIGINAL ISSUE	19.3.09

**CONFIDENTIAL**

(NOT TO BE DISCLOSED TO ANY OTHER PERSON WITHOUT PERMISSION FROM ROCLA PTY LIMITED. UNAUTHORISED DISCLOSURE MAY RESULT IN PROSECUTION)

©Rocla Pty Limited  
This drawing is the property of Rocla Pty Limited A.B.N. 31 000 032 191 and is subject to return upon demand. It is submitted for use only in connection with proposals and contracts of Rocla Pty Limited upon the express condition that it is not to be reproduced or copied in any form. Date to be used only with reference to products manufactured and supplied by Rocla Pty Limited.



**UP-FLO FILTER PIT**  
**GENERAL ARRANGEMENT**  
**PRECAST SURROUND WITHOUT RISER**

APP	PJC	DATE	21.9.09
CKD	SAN	DATE	18.9.09
DES		DATE	
DRN	SAN	DATE	17.3.09
REF	AUSTRALIA		
JOB No.	09031701		
SCALE	DO NOT SCALE		
D	208953		